

Form 2233w  
August, 1933  
PRINTED IN U. S. A.

# LIST OF PARTS



**SINGER\*\***  
MACHINE No. 36-4

---

**THE SINGER MANUFACTURING COMPANY**

\*\*A Trade Mark of THE SINGER MANUFACTURING COMPANY

From the library of: Diamond Needle Corp

# INSTRUCTIONS FOR OILING

---

To ensure easy running and prevent unnecessary wear of the parts which are in movable contact, the machine requires oiling and when in continuous use, "TYPE B" or "TYPE D" OIL, sold by Singer Sewing Machine Company, should be applied at least twice each day to all oil holes marked "OIL".

"TYPE D" OIL should be used when an oil is desired which will produce a minimum of stain on fabrics, even after a long period of storage.

# INDEX

---

	PAGE
ACCESSORIES .....	13
BINDER .....	15
MACHINE NO. 36-4 .....	7
NUMERICAL LIST OF PARTS .....	25
TRACK PARTS .....	16

From the library of: Diamond Needle Corp

COPYRIGHT, U. S. A.,  
1925, 1927 AND 1933,  
BY THE SINGER MANUFACTURING CO.  
ALL RIGHTS RESERVED FOR ALL COUNTRIES

# INSTRUCTIONS FOR ORDERING

In ordering from this list, use **ONLY** the part NUMBER in the **FIRST** column.

The number stamped on a Sewing Machine Part is in every case the number of the single part only.

Every combination of parts sent out as such has its specific number, which, although not stamped on the parts, must be used when ordering the combination.

Each number always indicates the **SAME PART** in whatever list it appears, or for whatever machine.

The letters after some of the numbers indicate the style of finish only, as follows:

- A—Hardened, Polished, Nickel Plated and Buffed
- B—Polished, Nickel Plated and Buffed
- C—Hardened Only
- D—Polished Only
- E—Soft, Not Polished
- F—Hardened and Polished
- H—Blued
- J—Nickel Plated Only
- K—Hardened and Nickel Plated
- L—Brass Plated
- M—Oxidized
- N—Japanned, Dull
- P—Japanned, Bright
- R—Merlized
- T—Copper Plated
- T. A.—Hardened, Polished, Copper and Nickel Plated and Buffed
- T. B.—Copper and Nickel Plated and Polished
- T. J.—Copper and Nickel Plated Only
- T. K.—Hardened, Copper and Nickel Plated
- T. M.—Copper Plated and Oxidized
- T. L.—Copper and Brass Plated
- U—Zinc Plated
- V—Silver Plated
- W—Polished and Nickel Plated
- Y—Black Nickel Plated Only
- Z—Chromium Plated
- Z. B.—Polished, Nickel Plated, Buffed and Chromium Plated
- Z. J.—Nickel and Chromium Plated

These letters **MUST BE USED** when they appear in the list; and **AFTER** the number **as** in the list.

In this series:

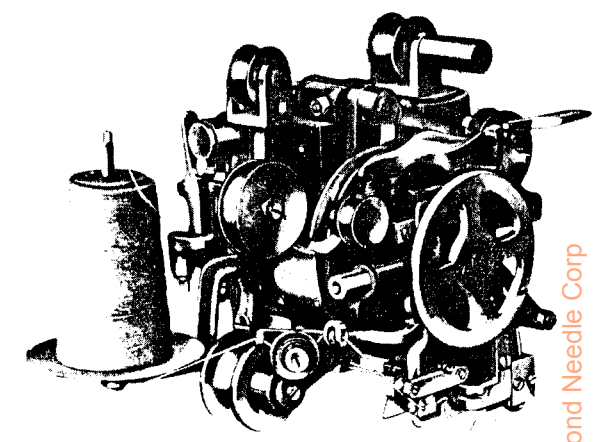
- 1 to 1500 and 50001 to 51500 are Screw Numbers
- 1501 to 1800 and 51501 to 51800 are Nut Numbers
- 1801 to 2000 and 51801 to 52000 are Roller Numbers
- 2001 to 50000 and 52001 and upward are numbers of Machine Parts

The figures in the second column refer only to the plates, illustrating the parts, and are **NOT TO BE USED** in ordering.

Parts marked with an asterisk (\*) are furnished only when repairs are made at factory.

# LIST OF PARTS COMPLETE

FOR



## MACHINE No. 36-4

**POSITIVE FEED. LEVER DRIVEN NEEDLE SLIDE**

**FOR POWER. ON TRACK**

**For Seaming Medium and Heavy Weight  
Carpets and Rugs**

No.	Plate	Name
12924	1087	Driving Belt Guard .....
12925	1087	“ “ Roller (2) .....
191c	1058	“ “ “ Screw (2) .....
8800	1072	“ “ “ “ Washer ...
12502	1087	“ “ “ Support (left) with two 453c .....
12776	1087	Driving Belt Roller Support (right) with two 453c .....
453c	1058	Driving Belt Roller Support Set Screw .....
12914	1087	Driving Wheel .....
12915	---	Driving Wheel complete, Nos. 401E, 12514, 12515, 12517, 12518, 12759, 12914 and two 12516 .....

From the library of: Diamond Needle Corp

## Parts for Machine No. 36-4

No.	Plate	Name
12505	1087	Feed Disengaging Lever with 791c..
12506	1057	" " " Hinge Pin..
12507	1057	" " " Locking Pin
10195	1057	" " " " " "
		Spring .....
12508	1088	Feed Eccentric with 465c .....
12509	1057	" " Pin .....
465c	1058	" " Set Screw .....
12675	1088	" Guide .....
12895	1088	" " Stud (eccentric) .....
1229c	1088	" " " Set Screw .....
12510	1087	" Lever .....
729c	1059	" " Screw .....
12511	1088	" " Slide Block .....
12512	1088	" Point .....
791c	1059	" " Set Screw .....
*12916	—	Frame .....
12514	1087	Friction Wheel with 1143c .....
12515	1088	" " G1b .....
12516	1057	" " " Position Pin .....
12517	1088	" " Latch with 12519 .....
12759	1057	" " " Spring .....
12518	1088	" " " Washer .....
12519	1057	" " " Pin .....
401E	1058	" " " Screw .....
3012	1057	" " Pin .....
1143c	1086	" " Set Screw .....
12520	1054	Grip Lever .....
12521	1088	" " Lock .....
12522	1088	" " " Bracket .....
172c	1058	" " " " Screw .....
208D	1058	" " " Clamping Screw .....
50252F	1088	" " " Regulating Screw .....
89c	1059	" " " Screw .....
12523	1057	" " " Spring .....
12524	1057	" " " " Hook .....
248A	1058	" " Set Screw .....
12689	1057	" " Spring .....
12525	1057	" " " Hook, for 12689 .....
12526	1057	" " " " " 12523 .....
12906	1094	Guide, to sew Heavy Axminster .....
12911	1094	" " " extra thick serged edge .....
12527	1093	" " " Brussels .....
12912	1094	" " " Saxony and Wilton .....
12910	1094	" " " Moquette (turned edge) .....
12873	1094	" " " Nap Axminster (coarse) .....
12909	1094	" " " Wilton .....
12876	1094	" " " " (for taking the fullness) .....

## Parts for Machine No. 36-4

No.	Plate	Name
12847	1091	Guide Holder Body .....
12844	1088	" " Plate .....
1149c	1088	" " " Screw .....
134c	1058	" " " Screw .....
12848	—	Guide Holder complete, Nos. 212F, 1149c, 12844 and 12847 .....
212F	1088	Guide Stop Screw .....
12536	1089	Hand Wheel .....
960B	1058	" " Screw (2) .....
12537	1088	Locking Cam with 465c .....
12538	1057	" " Pin .....
465c	1058	" " Set Screw .....
12539	1089	" Lever with 791c .....
12540	1088	" " Shaft Slide Block .....
12541	1088	" " Slide Block .....
12542	1090	" Point .....
791c	1058	" " Set Screw .....
12543	1090	Looper .....
*12849	—	" Bracket .....
146D	1058	" " Screw (2) .....
8554	1090	" " Steady Pin (2) .....
12545	1090	" Cam with 465c .....
12546	1057	" " Pin .....
465c	1058	" " Set Screw .....
12850	1089	" Lever with 193F .....
12870	1090	" " Strap .....
12549	1090	" " " Division Block (2) .....
50252F	1088	" " " " " Screw (2) .....
12550	1057	Looper Position Point .....
233D	1058	" " " Screw .....
193F	1058	" Set Screw .....
12750	1054	" Thread Cone Center (wood)..
12756	1054	" " Spool Bracket .....
161D	1058	" " " Screw .....
12751	1054	" " " Clamping Disc .....
12871	1089	" " " Post, 5½ in. long..
1519E	1061	" " " " Nut .....
12749	1054	" " " Rest Disc .....
12557	1089	" " Tension Bracket .....
2269	1057	" " " " Position Pin .....
191c	1058	Looper Thread Tension Bracket Screw .....
2102	1090	Looper Thread Tension Disc (2) ...
1560c	1061	" " " Regulating Thumb Nut .....

## Parts for Machine No. 36-4

No.	Plate	Name
2103	1057	Looper Thread Tension Spring .....
956c	1061	" " " Stud .....
1547j	1061	" " " " Lock Nut .....
12917	1089	Needle Cam with 448c .....
3012	1057	" " Pin .....
448c	1058	" " Set Screw .....
200f	1058	" Clamping Screw .....
12852	1090	" Guide .....
176f	1058	" " Screw .....
12918	1089	" Slide .....
12562	1089	" " Bar .....
447c	1058	" " " Set Screw .....
12869	1090	" " Gib .....
12565	1057	" " " Pin .....
12898	1089	" " Guide Block .....
132e	1090	" " " " Position Screw .....
350258f	1090	" " " " " " " " .....
201669d	1090	" " " " " " " " .....
		Nut (2) .....
12899	1090	Needle Slide Guide Block Stud .....
200d	1058	" " " " " " Set Screw .....
12919	1089	Needle Slide Lever with 1951 .....
12920	1090	" " " Hinge Stud .....
448c	1058	" " " " " " Set Screw .....
12921	1090	Needle Slide Lever Link .....
64c	1090	" " " " Hinge Screw .....
1951	1090	" " " Roller and Screw Stud with 1518j .....
1518j	1090	Needle Slide Lever Roller and Screw Stud Nut .....
12750	1054	Needle Thread Cone Center (wood) .....
12566	1057	" " Guide .....
12757	1054	" " Spool Bracket .....
161d	1058	" " " " Screw .....
12751	1054	" " " Clamping Disc .....
12871	1089	" " " Post .....
1519e	1061	" " " " Nut .....
12749	1054	" " " Rest Disc .....
12922	1090	" " Take-up Block .....
792c	1058	" " " " Screw .....
12569	1090	" " " Eyelet .....
402d	1058	" " " " Screw .....
2102	1090	" " Tension Disc (2) .....
1560c	1061	" " " Regulating Thumb Nut .....

## Parts for Machine No. 36-4

No.	Plate	Name
2103	1057	Needle Thread Tension Spring .....
956c	1061	" " " Stud .....
12855	1091	Piler .....
199d	1090	" Cap Screw .....
12857	1090	" Connecting Rod .....
12902	1086	" " " Guide (for use when piler is disconnected) .....
38c	1090	Piler Connecting Rod Hinge Screw (lower) .....
1330c	1090	Piler Connecting Rod Hinge Screw (upper) .....
12571	1092	Pull-off .....
190d	1058	" Screw .....
12572	1092	Return Belt Roller .....
45c	1059	" " " Screw .....
12573	1091	Roller (lower) (2) .....
12575	1092	" " Stud (left) .....
12858	1092	" " " (right) .....
1677c	1092	" " " " Nut .....
1513e	1092	" " " " Lock Nut .....
448c	1058	" " " Set Screw (2) .....
12576	1092	Safety Catch .....
12577	1092	" " Bracket .....
200f	1058	" " " Screw .....
12578	1057	" " Hinge Pin .....
12923	1091	Shaft .....
12859	1083	Spreader .....
12582	1092	" Cam with 465c .....
12546	1057	" " Pin .....
465c	1058	" " Set Screw .....
12860	1083	" Connecting Rod (rack) .....
12861	1083	" " " Plate .....
207e	1083	" " " " Screw (2) .....
176f	1058	Spreader Connecting Rod Screw .....
7071	1083	" " " " " " Washer .....
12862	1091	Spreader Lever .....
12863	1083	" " Cap .....
185u	1083	" " " Screw (2) .....
12864	1083	" Pinion .....
12865	1083	" " Cover .....
229b	1058	" " " Screw (2) .....
2269	1057	" " Pin .....
12585	1091	Starting Lever .....
2022	1092	" " Pin .....
12586	1092	" " Trip .....
12587	1057	" " " Hinge Pin .....
12588	1057	" " " Spring .....

## Parts for Machine No. 36-4

No.	Plate	Name
12866	1091	Stop Lever .....
12590	1092	" " Friction Pad (rawhide) ..
335D	1058	" " " " Screw (2) ..
1331C	1092	" " Hinge Screw .....
1611E	1092	" " " " Nut .....
202F	1058	" " Regulating Screw .....
12592	1092	" " Spring .....
12867	1083	" " " Support Pin .....
12594	1092	Tripping Lever .....
12595	1092	" " Finger .....
12596	1057	" " " Hinge Pin .....
12597	1057	" " " Spring .....
236D	1058	" " " " Screw ..
826F	1059	" " Screw .....
12598	1057	" " Spring .....
193F	1058	" " Stop Screw .....
12599	1054	Yielding Fork (left) .....
12678	1054	" " " Roller .....
12603	1054	" " " " Stud .....
12677	1054	" " (right) .....
12601	1054	" " " Roller .....
12680	1054	" " " Spring .....
12679	1054	" " " Stud .....
191C	1058	" " " " " Screw ..
8800	1072	" " " " " " " ..
		Washer .....
12602	1054	Yielding Fork Spring (2) .....

**SINGER** Needles should be used  
in **SINGER** Machines  
These Needles and their Containers  
are marked with the  
Company's Trade Mark "SIMANCO.\*\*\*" 1

Needles in Containers marked  
"FOR SINGER MACHINES"  
are NOT **SINGER** made needles. 2

## ACCESSORIES

No.	Plate	Name
12774	1057	Gauge, for 12512 and 12542 .....
12527	1093	Guide, to sew Brussels .....
12873	1094	" " " Nap Axminster (coarse)
12876	1094	" " " Wilton (for taking the fullness) .....
12906	1094	Guide, to sew Heavy Axminster ....
12910	1094	" " " Moquette (turned edge)
12909	1094	" " " Wilton .....
12911	1094	" " " extra thick serged edge
12912	1094	" " " Saxony and Wilton ..
12543	1090	Looper .....
36 x 3	----	Needles, five, size 26 .....
120346	1095	Oiler (copper plated) with 120347 ..
120347	1095	" Spout, 9 in. long .....
26346	1095	Pliers (4 in. flat nose) .....
11831	1095	Screw Driver (large) .....
*120091	----	" " Blade .....
*120090	----	" " Handle .....
26151	1095	Screw Driver, Nos. 120090 and 120091
255513	1095	Tweezers .....

## FURNISHED WITH TRACK

8078	1095	Belt Awl .....
12669	1076	" Compressor Bracket .....
12670	1076	" " Lever .....
12671	1071	" " " Hinge Pin .....
12668	1076	Belt Compressor complete, Nos. 12669 to 12671 and three wood screws 1 in., No. 10 .....
12763	1076	Clamp (stretching) Jaw (left) .....
12762	1076	" " " (right) .....
12761	1071	" " " Hinge Pin ..
12764	1076	" " Link .....
12765	1071	" " " Hinge Pin .....
12766	1071	" " Spring .....
12767	1071	" " " Hook, for 12762
12768	1071	" " " " " 12763
12672	----	" " Strap .....
12760	1076	" " " Eyelet .....
12761	1071	" " " " Hinge Pin

Accessories

No.	Plate	Name
12769	1076	Clamp (stretching) complete, Nos. 12760, 12762, 12763, 12766 to 12768, two each 12761, 12764 and 12765 ..
12753	1095	Wrench, for 873 .....
19221	1095	" " 611 .....

GUIDES

12530	1093	Guide, to sew American Axminster ..
12527	1093	" " " Brussels .....
12748	1093	" " " extra thick serged edge .....
12911	1094	" " " " " " .....
12790	1093	" " " Matting .....
12803	1094	" " " " .....
12791	1093	" " " " .....
12868	1094	" " " " (flat seam) ..
12792	1093	" " " " .....
12793	1093	" " " " .....
12814	1064	" " " " .....
12815	1064	" " " " .....
12804	1064	" " " Moquette (turned edge) ..
12910	1094	" " " " " " ..
12874	1094	" " " " (flat seam) ..
12912	1094	" " " Saxony and Wilton ..
12532	1093	" " " Tapestry .....
12533	1093	" " " Wilton .....
12909	1094	" " " " .....
12876	1094	" " " " (for taking the fullness .....
12873	1094	Guide, to sew Nap Axminster (coarse)
12875	1094	" " " " " " ..
12906	1094	" " " heavy Axminster .....

**BINDER**

No.	Plate	Name
*12816	1075	Binding Holder Base .....
402D	1058	" " " Screw .....
12817	1075	" " Bracket .....
*12818	1075	" " Rim .....
12819	1075	" " " Supporting Arm .....
236F	1058	" " " " " .....
172C	1058	Screw .....
12820	1075	Binding Holder Screw .....
		Binding Holder complete, Nos. 172c, 236F, 401E, 812B, 1621E, 12816 to 12819, 12821, 12822, two 402D and three 233D .....
12821	1075	Binding Tension Spring .....
12822	1075	" " " Bracket ..
233D	1058	" " " " Screw (lower) .....
401E	1058	Binding Tension Spring Bracket Screw (upper) .....
812B	1061	Binding Tension Spring Regulating Screw .....
1621E	1061	Binding Tension Spring Regulating Screw Nut .....
233D	1058	Binding Tension Spring Screw ..
12823	---	Binder complete, Nos. 12820 and 12824 .....
12824	1075	Guide, for binding .....

Note: When ordering No. 12824 send sample of carpet and binding.

From the files of the Library of the Carpet Institute

# TRACK

## SUPPORTED BY LEGS

No.	Plate	Name
12605	—	Belt .....
12690	1077	" Adjusting Bracket with two 795c
967E	1058	" " " Screw .....
12691	1079	" " Rod, length 3 ft. 7 inches
12692	1077	" " " Pulley, 6½ in. diam
		eter .....
795c	1058	Belt Adjusting Rod Set Screw ....
12811	—	Belt Adjuster complete, Nos. 12690,
		12700, 12719, 12720, two each 819c,
		12691, 12692 and three 967E .....
12770	1072	Belt Coupling Joint Ball .....
12771	1072	" " " " Rivet ....
873c	1072	" " " " Screw .....
12772	—	Belt Coupling Joint complete, Nos.
		12771, two each 873c and 12770 ..
12773	1072	Belt Coupling Sleeve .....
12610	1072	Belt Coupling complete, Nos. 12772,
		two each 12773 and wood screws
		¾ in., No. 9 .....
12693	1078	Brace (long), for 3 ft. 7 in. section..
12878	—	" " " 3 ft. section .....
12745	1078	" (short), for 3 ft. 7 in. section..
12879	—	" " " 3 ft. section .....
12694	1078	" Angle (lower) .....
953J	1060	" " " Bolt, 2¼ x ½ in.
		with 1522J .....
1522J	1061	Brace Angle (lower) Bolt Nut .....
12620	1072	" " " " Washer ..
12695	1078	" " (upper) .....
954J	1060	" " " Bolt, 2¼ x ½ in.
		with 1522J .....
1522J	1061	Brace Angle (upper) Bolt Nut ....
12813	1072	" " " " Washer..
954J	1060	" " Bolt, 2¼ x ½ in., with
		1522J, for single brace .....
1522J	1061	Brace Angle Bolt Nut .....
12620	1072	" " " " Washer .....
783E	1058	" Screw .....
9281	1072	" " Washer .....
12696	1076	Carpet Height Guide .....
145E	1058	" " " " Screw .....
1528c	1061	" " " " Nut .....

## Parts of Track

No.	Plate	Name
12697	1080	Clamping Arm with 12614 .....
12834	1071	" " Spring .....
12614	1057	" " " Hook .....
12698	1073	" Jaw (inside) .....
138E	1058	" " " Screw .....
12699	1073	" " (outside) with 12617 ....
690D	1058	" " " Screw .....
12617	1086	" " Spur .....
12700	1076	Driving Belt Adjusting Bracket with
		611E .....
611E	1058	Driving Belt Adjusting Bracket Ad-
		justing Screw .....
819c	1059	Driving Belt Adjusting Bracket
		Screw Stud .....
12705	1076	Feed Rack (end) .....
12706	1076	" " (intermediate), for 3 ft. 7
		in. section .....
12880	—	Feed Rack (intermediate), for 3 ft.
		section .....
430c	1058	Feed Rack Adjusting Screw .....
1520J	1061	" " " " Nut ..
445c	1058	" " Set Screw .....
12809	1080	Guide Rack (wood) with eight name
		plates and sixteen pins .....
51077E	1087	Guide Rack Bolt, 3 x ¼ in., with 51581E
51581E	—	" " " Nut .....
210805	1086	" " " Washer .....
12707	1077	Hanger, for 12718, with 436c, 1517E,
		two each 430c, 445c and 1520J ..
12836	1080	Hanger, for 12718, with 12614, two
		each 430c, 445c and 1520J ....
821E	1060	Hanger Screw .....
12708	1077	" (intermediate) with two each
		430c, 445c and 1520J .....
821E	1060	Hanger (intermediate) Screw .....
954J	1060	" Bolt, 2¼ x ½ in., with 1522J ..
1522J	1061	" " Nut .....
12620	1072	" " Washer .....
12709	1077	" Bracket .....
12837	1080	" " for use with 599 .....
12883	—	" " Stay Bar (intermediate),
		length 3 ft., for 3 ft. section ....
12691	1079	Hanger Bracket Stay Bar (interme-
		diated), length 3 ft. 7 in., for 3 ft.
		7 in. section .....
12881	—	Hanger Bracket Stay Bar (end)
		(left), length 3 ft. 1½ in., for 3 ft.
		section .....



## Parts of Track

No.	Plate	Name
12742	1079	Hanger Bracket Stay Bar (end) (left), length 3 ft. 8½ in., for 3 ft. 7 in. section .....
12882	—	Hanger Bracket Stay Bar (end) (right), length 3 ft. 2½ in., for 3 ft. section .....
12832	1079	Hanger Bracket Stay Bar (end) (right), length 3 ft. 9½ in., for 3 ft. 7 in. section .....
12743	1076	Hanger Bracket Stay Bar Coupling with 795c .....
12744	1076	Hanger Bracket Stay Bar Coupling Bracket with 795c .....
954J	1060	Hanger Bracket Stay Bar Coupling Bracket Bolt with 1522J .....
1522J	1061	Hanger Bracket Stay Bar Coupling Bracket Bolt Nut .....
822E	1060	Hanger Bracket Stay Bar Coupling Screw .....
795c	1058	Hanger Bracket Stay Bar Set Screw .....
12714	1077	Hanging Arm with 448c .....
12715	1077	" " Latch with 12673 .....
25D	1059	" " " Hinge Screw .....
12673	1057	" " " Pin .....
9534	1071	" " " Spring .....
12716	1072	" " " Spur .....
12717	1072	" " " Holder .....
12835	1072	" " " " 12717 with 12716 .....
448c	1058	Hanging Arm Spur Holder Screw ..
12718	1078	Leg .....
12812	1080	" Brace .....
497J	1060	" " Bolt, 1½ x ½ in., with 1522J ..
1522J	1061	" " " Nut .....
12813	1072	" " " Washer .....
		" wood screw, for floor, 2 in., No. 24 (4) .....
12719	1076	Name Plate with two 448c .....
448c	1058	" " Set Screw .....
12720	1076	Return Belt Adjusting Bracket with 611E .....
611E	1058	Return Belt Adjusting Bracket Adjusting Screw .....
819c	1059	Return Belt Adjusting Bracket Screw Stud .....

## Parts of Track

No.	Plate	Name
12721	1077	Starting Lever with 795c .....
795c	1058	" " Set Screw .....
12722	1073	" " Trip Pawl .....
786D	1059	" " " " Hinge Screw .....
12648	1072	" " " " Spring .....
236D	1058	" " " " " Screw .....
12884	—	" Rod (end) (left), for 3 ft. section .....
12723	1079	Starting Rod (end) (left), for 3 ft. 7 in. section .....
12885	—	Starting Rod (end) (right), for 3 ft. section .....
12725	1079	Starting Rod (end) (right), for 3 ft. 7 in. section .....
12724	1073	Starting Rod (end) Collar with 363c ..
363c	1058	" " " " Set Screw .....
12886	—	" " (intermediate), for 3 ft. section .....
12726	1079	Starting Rod (intermediate), for 3 ft. 7 in. section .....
12727	1073	Starting Rod (intermediate) Collar with 363c .....
363c	1058	Starting Rod (intermediate) Collar Set Screw .....
12728	1076	Stop Bracket with 363c, 12641 and two 190D .....
12641	1072	Stop Bracket Pad (rawhide) .....
190D	1058	" " " Screw .....
12729	1076	" " (for return machine) ..
145E	1058	" " " " " Screw .....
1528c	1061	" " " " " " Nut .....
12730	1071	Stop Bracket Pawl .....
12643	1071	" " " Spring .....
236D	1058	" " " " Screw .....
784c	1058	" " " " " Stud ..
12674	1071	" " " Stop Pin .....
363c	1058	" " Set Screw .....
12731	1077	Stretching Arm with 429c, 453c, 795c and 1513J .....
12732	1077	Stretching Arm Lever .....
823c	1059	" " " Hinge Screw ..
1608c	1061	" " " " " Nut .....
12733	1073	" " " Link .....
824c	1059	" " " " Screw ..
1608c	1061	" " " " " Nut .....
51001c	1086	" " " " " Hinge Screw (for first section) .....

 From the library of: [www.industrydocuments.ucsf.edu/docs/12721](http://www.industrydocuments.ucsf.edu/docs/12721)

## Parts of Track

No.	Plate	Name
825c	1059	Stretching Arm Lever Link Hinge Screw .....
1608c	1061	Stretching Arm Lever Link Hinge Screw Nut .....
795c	1058	Stretching Arm Set Screw .....
12734	1073	" Clamp (inside) .....
12735	1073	" " " Bracket with 453c .....
138E	1058	Stretching Clamp (inside) Bracket Screw .....
12738	1071	Stretching Clamp (inside) Hinge Pin
453c	1058	" " " " " Set Screw .....
12806	1073	Stretching Clamp (inside) Spring ..
436c	1083	" " " Stop Screw Stud .....
1517J	1086	Stretching Clamp (inside) Stop Screw Stud Nut .....
12736	1073	Stretching Clamp (outside) .....
12738	1071	" " " Hinge Pin
453c	1058	" " " " " Set Screw .....
12807	1073	Stretching Clamp (outside) Spring..
159E	1058	" " " Stop Screw
429c	1086	" " " " " Stud .....
1513J	1092	Stretching Clamp (outside) Stop Screw Stud Nut .....
12808	1073	Stretching Clamp Shield .....
12754	1080	Tool Tray .....
51072E	---	" " Bolt, 2 1/4 x 1/2 in., with 51581E
51581E	---	" " " Nut .....
210805	1086	" " " Washer .....
12888	---	Track Rod (end, upper) (left), length 4 ft., for 3 ft. section .....
12739	1079	Track Rod (end, upper) (left), length 4 ft. 7 in., for 3 ft. 7 in. section ..
12889	---	Track Rod (end, upper) (right), length 4 ft., for 3 ft. section .....
12825	1079	Track Rod (end, upper) (right), length 4 ft. 7 in., for 3 ft. 7 in. section .....
12890	---	Track Rod (intermediate) (lower), length 3 ft., for 3 ft. section .....
12891	---	Track Rod (intermediate) (lower), length 3 ft., for 12690, for 3 ft. section .....

## Parts of Track

No.	Plate	Name
12823	1079	Track Rod (intermediate) (lower), length 3 ft. 7 in., for 3 ft. 7 in. section .....
12829	1079	Track Rod (intermediate) (lower), length 3 ft. 7 in., for 12690, for 3 ft. 7 in. section .....
12892	---	Track Rod (intermediate) (upper), length 3 ft., for 3 ft. section .....
12893	---	Track Rod (intermediate) (upper), length 3 ft., for 12690, for 3 ft. section .....
12740	1079	Track Rod (intermediate) (upper), length 3 ft. 7 in., for 3 ft. 7 in. section .....
12826	1079	Track Rod (intermediate) (upper), length 3 ft. 7 in., for 12690, for 3 ft. 7 in. section .....
12887	---	Track Rod (end, lower) (left and right), length 4 ft., for 3 ft. section .....
12827	1079	Track Rod (end, lower) (left and right), length 4 ft. 7 in., for 3 ft. 7 in. section .....
967E	1058	Track Rod (lower) Screw .....
966E	1058	" " (upper) Screw, long .....
967E	1058	" " " " short .....

REMOVABLE MACHINE STOP AND BELT SUPPORT PARTS		
12501	1087	Driving Belt Roller .....
12681	1071	" " " Stud .....
191c	1058	" " " " Screw .....
457c	1086	" " " " Set Screw ..
8800	1072	" " " " Washer .....
12682	1075	Stop Stud .....
12683	1076	" " Arm with two 457c .....
12684	1076	" " " Bracket with two 445c
445c	1058	" " " " Screw .....
12685	1071	" " " Hinge Pin .....
12686	1076	" " Latch Bracket .....
180E	1058	" " " " Screw .....
11121	1071	" " " Pin .....
11122	1071	" " " " Head .....
2269	1057	" " " " " Pin .....
11124	1071	" " " " Spring .....

## Parts of Track

No.	Plate	Name
11120	---	Stop Stud Latch Pin complete, Nos. 2269, 11121, 11122 and 11124 .....
1606c	1061	Stop Stud Nut .....
12687	---	Stop complete, Nos. 191c, 1606c, 8800, 11120, 12681 to 12686, 12830, 12831, two each 180E and 12501 .....
12830	1079	Track Rod (lower), length 3 ft. 7 inches .....
967E	1058	Track Rod (lower) Screw .....
12831	1079	" " (upper), length 3 ft. 7 inches .....
966E	1058	Track Rod (upper) Screw .....

## POWER TRANSMITTER PARTS

12778	1077	Frame with three 968c .....
968c	1058	" Set Screw .....
12779	1077	Gear with 445c and 888c .....
12780	1077	" Cover .....
145E	1058	" Screw .....
888c	1058	" Position Screw .....
445c	1058	" Set Screw .....
12782	1077	Machine Driving Pulley, 8 in. diam., with 445c and 888c .....
888c	1058	Machine Driving Pulley Position Screw .....
445c	1058	Machine Driving Pulley Set Screw .....
12784	1075	" " " Shaft .....
12785	1075	" " " Bushing (eccentric) .....
968c	1058	Machine Driving Pulley Shaft Bushing Set Screw .....
12786	1077	Machine Return Pulley, 6½ in. diam., with 445c and 888c .....
888c	1058	Machine Return Pulley Position Screw .....
445c	1058	Machine Return Pulley Set Screw .....
12787	1075	" " " Shaft .....
12838	1087	Pinion with 445c and 888c .....
888c	1058	" Position Screw .....
445c	1058	" Set Screw .....
12789	---	Transmitter complete, Nos. 12778 to 12780, 12782, 12784 to 12787, 12838 and three 145E .....

## Parts of Track

## COUNTER SHAFT PARTS

No.	Plate	Name
12913	---	Driving Belt, width 1¾ in., length 10 ft. 2 in. (flat), with three 25029 ..
25029	1088	Driving Belt Hook .....
12794	1077	" " Bracket with three 363c .....
12795	1075	" " " Shaft .....
202244	---	" " " " Oil Wick..
12805	1079	" " " " Pulley, 8 in. diam. (grooved, tight) with 909c ..
12796	1079	Driving Belt Bracket Shaft Pulley, 8 in. diam. (grooved, loose) .....
12797	1078	Driving Belt Bracket Shaft Pulley, 8 in. diam. (flat), with 909c .....
12798	1078	Driving Belt Bracket Shaft Pulley, 9 in. diam. (flat), with 909c .....
12799	1079	Driving Belt Bracket Shaft Pulley, 10 in. diam. (flat), with 909c .....
12810	1078	Driving Belt Bracket Shaft Pulley, 11 in. diam. (flat), with 909c .....
12800	1078	Driving Belt Bracket Shaft Pulley, 12 in. diam. (flat), with 909c .....
12903	---	Driving Belt Bracket Shaft Pulley, 13 in. diam. (flat), with 909c .....
12904	---	Driving Belt Bracket Shaft Pulley, 14 in. diam. (flat), with 909c .....
12905	---	Driving Belt Bracket Shaft Pulley, 15 in. diam. (flat), with 909c .....
909c	1058	Driving Belt Bracket Shaft Pulley Set Screw .....
524c	1058	Driving Belt Bracket Shaft Screw .....
14044	1072	" " " " Washer .....
363c	1058	Driving Belt Bracket Set Screw .....
12801	---	Counter Shaft complete, Nos. 524c, 12794 to 12796, 12805, 12810, 14044 and 202244 .....

## NUMERICAL LIST OF PARTS

No.	Plate	Name
25D	1059	Hanging Arm Latch Hinge Screw ..
38c	1090	Piler Connecting Rod Hinge Screw (lower) .....
45c	1059	Return Belt Roller Screw .....
64c	1090	Needle Slide Lever Link Hinge Screw
89c	1059	Grip Lever Lock Screw .....
132E	1090	Needle Slide Guide Block Position Screw .....
134c	1058	Guide Holder Screw .....
138E	1058	Clamping Jaw (inside) Screw .....
138E	1058	Stretching Clamp (inside) Bracket Screw .....
145E	1058	Carpet Height Guide Screw .....
145E	1058	Power Transmitter Gear Cover Screw, for 12789 .....
145E	1058	Stop Bracket (for return machine) Screw .....
146D	1058	Looper Bracket Screw .....
159E	1058	Stretching Clamp (outside) Stop Screw .....
161D	1058	Looper Thread Spool Bracket Screw
161D	1058	Needle Thread Spool Bracket Screw
172c	1058	Binding Holder Screw, for 12820 ..
172c	1058	Grip Lever Lock Bracket Screw ..
176F	1058	Needle Guide Screw .....
176F	1058	Spreader Connecting Rod Screw ..
180E	1058	Stop Stud Latch Bracket Screw, for 12687 .....
185H	1083	Spreader Lever Cap Screw .....
190D	1058	Pull-off Screw .....
190D	1058	Stop Bracket Pad Screw, for 12728
191c	1058	Driving Belt Roller Screw .....
191c	1058	" " " Stud Screw, for 12687 .....
191c	1058	Looper Thread Tension Bracket Screw .....
191c	1058	Yielding Fork (right) Roller Stud Screw .....
193F	1058	Looper Set Screw, for 12850 .....
193F	1058	Tripping Lever Stop Screw .....
199D	1090	Piler Cap Screw .....
200F	1058	Needle Clamping Screw .....
200D	1058	" Slide Guide Block Stud Set Screw .....

**SINGER** Needles should be used  
in **SINGER** Machines  
These Needles and their Containers  
are marked with the  
Company's Trade Mark "SIMANCO."<sup>TM</sup>

Needles in Containers marked  
"FOR SINGER MACHINES"  
are NOT **SINGER** made needles.

From the library of: Diamond Needle Corp

## Numerical List of Parts

No.	Plate	Name
200F	1058	Safety Catch Bracket Screw .....
202F	1058	Stop Lever Regulating Screw .....
207F	1083	Spreader Connecting Rod Plate Screw .....
208D	1058	Grip Lever Lock Clamping Screw ..
212F	1088	Guide Stop Screw, for 12848 .....
229D	1058	Spreader Pinion Cover Screw .....
233D	1058	Binding Tension Spring Bracket Screw (lower), for 12820 .....
233D	1058	Binding Tension Spring Screw, for 12820 .....
233D	1058	Looper Position Point Screw .....
236F	1058	Binding Holder Rim Supporting Arm Screw, for 12820 .....
236D	1058	Starting Lever Trip Pawl Spring Screw .....
236D	1058	Stop Bracket Pawl Spring Screw ..
236D	1058	Tripping Lever Finger Spring Screw
248A	1058	Grip Lever Set Screw .....
335D	1058	Stop Lever Friction Pad Screw ....
363C	1058	Counter Shaft Driving Belt Bracket Set Screw, for 12794 .....
363C	1058	Starting Rod (end) Collar Set Screw, for 12724 .....
363C	1058	Starting Rod (intermediate) Collar Set Screw, for 12727 .....
363C	1058	Stop Bracket Set Screw, for 12728..
401E	1058	Binding Tension Spring Bracket Screw (upper), for 12820 .....
401E	1058	Friction Wheel Latch Washer Screw, for 12915 .....
402D	1058	Needle Thread Take-up Eyelet Screw
402D	1058	Binding Holder Base Screw, for 12820
429C	1086	Stretching Clamp (outside) Stop Screw Stud, for 12731 .....
430C	1058	Feed Rack Adjusting Screw, for 12707, 12708 and 12836 .....
436C	1083	Stretching Clamp (inside) Stop Screw Stud, for 12707 .....
445C	1058	Feed Rack Set Screw, for 12707, 12708 and 12836 .....
445C	1058	Power Transmitter Gear Set Screw, for 12779 .....
445C	1058	Power Transmitter Machine Driving Pulley Set Screw, for 12782 .....
445C	1058	Power Transmitter Machine Return Pulley Set Screw, for 12786 .....
445C	1058	Power Transmitter Pinion Set Screw, for 12838 .....

## Numerical List of Parts

No.	Plate	Name
445C	1058	Stop Stud Arm Bracket Screw, for 12684 .....
447C	1058	Needle Slide Bar Set Screw .....
448C	1058	Hanging Arm Spur Holder Screw, for 12714 .....
448C	1058	Name Plate Set Screw, for 12719 ..
448C	1058	Needle Cam Set Screw, for 12917 ..
448C	1058	" Slide Lever Hinge Stud Set Screw .....
448C	1058	Roller (lower) Stud Set Screw ....
453C	1058	Driving Belt Roller Support Set Screw, for 12502 and 12776 .....
453C	1058	Stretching Clamp (inside) Hinge Pin Set Screw, for 12735 .....
453C	1058	Stretching Clamp (outside) Hinge Pin Set Screw, for 12731 .....
457C	1086	Driving Belt Roller Stud Set Screw, for 12683 .....
465C	1058	Feed Eccentric Set Screw, for 12508
465C	1058	Locking Cam Set Screw, for 12537 ..
465C	1058	Looper Cam Set Screw, for 12545 ..
465C	1058	Spreader Cam Set Screw, for 12582
497J	1060	Leg Brace Bolt, $1\frac{1}{2}$ x $\frac{1}{2}$ in., with 1522J
524C	1058	Counter Shaft Driving Belt Bracket Shaft Set Screw, for 12801 .....
611E	1058	Driving Belt Adjusting Bracket Ad- justing Screw, for 12700 .....
611E	1058	Return Belt Adjusting Bracket Ad- justing Screw, for 12720 .....
690D	1058	Clamping Jaw (outside) Screw ....
729C	1059	Feed Lever Screw .....
783E	1058	Brace Screw .....
784C	1058	Stop Bracket Pawl Spring Screw Stud .....
786D	1059	Starting Lever Trip Pawl Hinge Screw .....
791C	1058	Feed Point Set Screw, for 12505 ....
791C	1058	Locking Point Set Screw, for 12539
792C	1058	Needle Thread Take-up Block Screw
795C	1058	Belt Adjusting Rod Set Screw, for 12690 .....
795C	1058	Hanger Bracket Stay Bar Set Screw, for 12743 and 12744 .....
795C	1058	Starting Lever Set Screw, for 12721
795C	1058	Stretching Arm Set Screw, for 12731
812B	1061	Binding Tension Spring Regulating Screw, for 12820 .....

## Numerical List of Parts

No.	Plate	Name
819c	1059	Driving Belt Adjusting Bracket Screw Stud, for 12811 .....
819c	1059	Return Belt Adjusting Bracket Screw Stud, for 12811 .....
821E	1060	Hanger Screw .....
821E	1060	" (intermediate) Screw .....
822E	1060	" Bracket Stay Bar Coupling Screw .....
823c	1059	Stretching Arm Lever Hinge Screw
824c	1059	" " " Link Screw ..
825c	1059	" " " Hinge Screw .....
826F	1059	Tripping Lever Screw .....
873c	1072	Belt Coupling Joint Screw, for 12772
888c	1058	Power Transmitter Gear Position Screw, for 12779 .....
888c	1058	Power Transmitter Machine Driving Pulley Position Screw, for 12782..
888c	1058	Power Transmitter Machine Return Pulley Position Screw, for 12786..
888c	1058	Power Transmitter Pinion Position Screw, for 12838 .....
909c	1058	Counter Shaft Driving Belt Bracket Shaft Pulley Set Screw, for 12797 to 12800, 12805, 12810 and 12903 to 12905 .....
953J	1060	Brace Angle (lower) Bolt, 2 $\frac{3}{4}$ x $\frac{1}{2}$ in., with 1522J .....
954J	1060	Brace Angle (upper) Bolt, 2 $\frac{1}{4}$ x $\frac{1}{2}$ in., with 1522J .....
954J	1060	Brace Angle Bolt, 2 $\frac{1}{4}$ x $\frac{1}{2}$ in., with 1522J, for single brace .....
954J	1060	Hanger Bolt, 2 $\frac{1}{4}$ x $\frac{1}{2}$ in., with 1522J ..
954J	1060	" Bracket Stay Bar Coupling Bracket Bolt with 1522J .....
956c	1061	Looper Thread Tension Stud .....
956c	1061	Needle Thread Tension Stud .....
960B	1058	Hand Wheel Screw .....
966E	1058	Track Rod (upper) Screw .....
966E	1058	" " " long .....
967E	1058	Belt Adjusting Bracket Screw, for 12811 .....
967E	1058	Track Rod (lower) Screw .....
967E	1058	" " (upper) Screw, short ...
968c	1058	Power Transmitter Frame Set Screw, for 12778 .....
968c	1058	Power Transmitter Machine Driving Pulley Shaft Bushing Set Screw ..
1143c	1086	Friction Wheel Set Screw, for 12514

## Numerical List of Parts

No.	Plate	Name
1149c	1088	Guide Holder Plate Screw, for 12848
1229c	1088	Feed Guide Stud Set Screw .....
1330c	1090	Piler Connecting Rod Hinge Screw (upper) .....
1331c	1092	Stop Lever Hinge Screw .....
1513c	1092	Roller (lower) Stud (right) Nut Lock Nut .....
1513J	1092	Stretching Clamp (outside) Stop Screw Stud Nut, for 12731 .....
1517J	1086	Stretching Clamp (inside) Stop Screw Stud Nut, for 12707 .....
1518J	1090	Needle Slide Lever Roller and Screw Stud Nut, for 1951 .....
1519E	1061	Looper Thread Spool Post Nut .....
1519E	1061	Needle Thread Spool Post Nut .....
1520J	1061	Feed Rack Adjusting Screw Nut, for 12707, 12708 and 12836 .....
1522J	1061	Brace Angle (lower) Bolt Nut, for 953 .....
1522J	1061	Brace Angle (upper) Bolt Nut, for 954 .....
1522J	1061	Brace Angle Bolt Nut, for 954 .....
1522J	1061	Hanger Bolt Nut, for 954 .....
1522J	1061	Hanger Bracket Stay Bar Coupling Bracket Bolt Nut, for 954 .....
1522J	1061	Leg Brace Bolt Nut, for 497 .....
1528c	1061	Carpet Height Guide Screw Nut ...
1528c	1061	Stop Bracket (for return machine) Screw Nut .....
1547J	1061	Looper Thread Tension Stud Lock Nut .....
1560c	1061	Looper Thread Tension Regulating Thumb Nut .....
1560c	1061	Needle Thread Tension Regulating Thumb Nut .....
1606c	1061	Stop Stud Nut, for 12687 .....
1608c	1061	Stretching Arm Lever Hinge Screw Nut .....
1608c	1061	Stretching Arm Lever Link Hinge Screw Nut .....
1608c	1061	Stretching Arm Lever Link Screw Nut .....
1611E	1092	Stop Lever Hinge Screw Nut .....
1621E	1061	Binding Tension Spring Regulating Screw Nut, for 12820 .....
1677c	1092	Roller (lower) Stud (right) Nut ...
1951	1090	Needle Slide Lever Roller and Screw Stud with 1518J, for 12919 .....

## Numerical List of Parts

No.	Plate	Name
2022	1092	Starting Lever Pin .....
2102	1090	Looper Thread Tension Disc .....
2102	1090	Needle Thread Tension Disc .....
2103	1057	Looper Thread Tension Spring .....
2103	1057	Needle Thread Tension Spring .....
2269	1057	Looper Thread Tension Bracket Position Pin .....
2269	1057	Spreader Pinion Pin .....
2269	1057	Stop Stud Latch Pin Head Pin, for 11120 .....
3012	1057	Friction Wheel Pin .....
3012	1057	Needle Cam Pin .....
7071	1083	Spreader Connecting Rod Screw Washer .....
8078	1095	Belt Awl .....
8554	1090	Looper Bracket Steady Pin .....
8800	1072	Driving Belt Roller Screw Washer..
8800	1072	" " " Stud Washer, for 12687 .....
8800	1072	Yielding Fork (right) Roller Stud Screw Washer .....
9281	1072	Brace Screw Washer .....
9534	1071	Hanging Arm Latch Spring .....
10195	1057	Feed Disengaging Lever Locking Pin Spring .....
11120	—	Stop Stud Latch Pin complete, Nos. 2269, 11121, 11122 and 11124, for 12687 .....
11121	1071	Stop Stud Latch Pin, for 11120 .....
11122	1071	" " " " Head, for 11120 .....
11124	1071	" " " " Spring, for 11120 .....
11831	1095	Screw Driver (large) .....
12501	1087	Driving Belt Roller, for 12687 .....
12502	1087	" " " Support (left) with two 453c .....
12505	1087	Feed Disengaging Lever with 791c..
12506	1057	" " " Hinge Pin..
12507	1057	" " " Locking Pin .....
12508	1088	" Eccentric with 465c .....
12509	1057	" " Pin .....
12510	1087	" Lever .....
12511	1088	" " Slide Block .....
12512	1088	" Point .....
		Nos. 12514 to 12518, for 12915
12514	1087	Friction Wheel with 1143c .....
12515	1088	" " Gib .....

## Numerical List of Parts

No.	Plate	Name
12516	1057	Friction Wheel Gib Position Pin ....
12517	1088	" " Latch with 12519 ....
12518	1088	" " " Washer .....
12519	1057	" " " " Pin, for 12517 .....
12520	1054	Grip Lever .....
12521	1088	" " Lock .....
12522	1088	" " " Bracket .....
12523	1057	" " " Spring .....
12524	1057	" " " " Hook .....
12525	1057	" " Spring Hook, for 12689 ..
12526	1057	" " " " " 12523 ..
12527	1093	Guide, to sew Brussels .....
12530	1093	" " " American Axminster..
12532	1093	" " " Tapestry .....
12533	1093	" " " Wilton .....
12536	1089	Hand Wheel .....
12537	1088	Locking Cam with 465c .....
12538	1057	" " Pin .....
12539	1089	" Lever with 791c .....
12540	1088	" " Shaft Slide Block .....
12541	1088	" " Slide Block .....
12542	1090	" Point .....
12543	1090	Looper .....
12545	1090	" Cam with 465c .....
12546	1057	" " Pin .....
12546	1057	Spreader Cam Pin .....
12549	1090	Looper Lever Strap Division Block..
12550	1057	" Position Point .....
12557	1089	" Thread Tension Bracket ....
12562	1089	Needle Slide Bar .....
12565	1057	" " Gib Pin .....
12566	1057	" Thread Guide .....
12569	1090	" " Take-up Eyelet .....
12571	1092	Pin-off .....
12572	1092	Return Belt Roller .....
12573	1091	Roller (lower) .....
12575	1092	" " Stud (left) .....
12576	1092	Safety Catch .....
12577	1092	" " Bracket .....
12578	1057	" " Hinge Pin .....
12582	1092	Spreader Cam with 465c .....
12585	1091	Starting Lever .....
12586	1092	" " Trip .....
12587	1057	" " " Hinge Pin .....
12588	1057	" " " Spring .....
12590	1092	" " Friction Pad (rawhide)
12592	1092	Stop Lever Spring .....

## Numerical List of Parts

No.	Plate	Name
12594	1092	Tripping Lever .....
12595	1092	“ “ Finger .....
12596	1057	“ “ “ Hinge Pin ...
12597	1057	“ “ “ Spring .....
12598	1057	“ “ Spring .....
12599	1054	Yielding Fork (left) .....
12601	1054	“ “ (right) Roller .....
12602	1054	“ “ Spring .....
12603	1054	“ “ (left) Roller Stud ....
12605	—	Belt .....
12610	1072	Belt Coupling complete, Nos. 12772, two each 12773 and wood screws ¾ in., No. 9 .....
12614	1057	Clamping Arm Spring Hook, for 12697 and 12836 .....
12617	1086	Clamping Jaw Spur, for 12699 .....
12620	1072	Brace Angle (lower) Bolt Washer ..
12620	1072	“ “ Bolt Washer .....
12620	1072	Hanger Bolt Washer .....
12641	1072	Stop Bracket Pad (rawhide), for 12728 .....
12643	1071	Stop Bracket Pawl Spring .....
12648	1072	Starting Lever Trip Pawl Spring ..
12668	1076	Belt Compressor complete, Nos. 12669 to 12671 and three wood screws 1 in., No. 10 .....
		Nos. 12669 to 12671, for 12668
12669	1076	Belt Compressor Bracket .....
12670	1076	“ “ Lever .....
12671	1071	“ “ “ Hinge Pin .....
12672	—	Clamp (stretching) Strap .....
12673	1057	Hanging Arm Latch Pin, for 12715..
12674	1071	Stop Bracket Pawl Stop Pin .....
12675	1088	Feed Guide .....
12677	1054	Yielding Fork (right) .....
12678	1054	“ “ (left) Roller .....
12679	1054	“ “ (right) Roller Stud ..
12680	1054	“ “ “ “ Spring..
		Nos. 12681 to 12686, for 12687
12681	1071	Driving Belt Roller Stud .....
12682	1075	Stop Stud .....
12683	1076	“ “ Arm with two 457c .....
12684	1076	“ “ “ Bracket with two 445c
12685	1071	“ “ “ Hinge Pin .....
12686	1076	“ “ Latch Bracket .....

## Numerical List of Parts

No.	Plate	Name
12687	—	Stop complete, Nos. 191c, 1606c, 8800, 11120, 12681 to 12686, 12830, 12831, two each 180e and 12501 ..
12689	1057	Grip Lever Spring .....
		Nos. 12690 to 12692, for 12811
12690	1077	Belt Adjusting Bracket with 795c ..
12691	1079	“ “ Rod, length 3 ft. 7 inches
12691	1079	Hanger Bracket Stay Bar (interme- diate), length 3 ft. 7 in., for 3 ft. 7 in. section .....
12692	1077	Belt Adjusting Rod Pulley, 6½ in. diameter .....
12693	1078	Brace (long), for 3 ft. 7 in. section..
12694	1078	“ Angle (lower) .....
12695	1078	“ “ (upper) .....
12696	1076	Carpet Height Guide .....
12697	1080	Clamping Arm with 12614 .....
12698	1073	“ Jaw (inside) .....
12699	1073	“ “ (outside) with 12617 ....
12700	1076	Driving Belt Adjusting Bracket with 611E, for 12811 .....
12705	1076	Feed Rack (end) .....
12706	1076	“ “ (intermediate), for 3 ft. 7 in. section .....
12707	1077	Hanger, for 12718 with 436c, 1517E, two each 430c, 445c and 1520J ....
12708	1077	Hanger (intermediate) with two each 430c, 445c and 1520J .....
12709	1077	Hanger Bracket .....
12714	1077	Hanging Arm with 448c .....
12715	1077	“ “ Latch with 12673 ....
12716	1072	“ “ Spur, for 12835 .....
12717	1072	“ “ “ Holder, for 12835
12718	1078	Leg .....
12719	1076	Name Plate with two 448c, for 12811
12720	1076	Return Belt Adjusting Bracket with 611E, for 12811 .....
12721	1077	Starting Lever with 795c .....
12722	1073	“ “ Trip Pawl .....
12723	1079	“ Rod (end) (left), for 3 ft. 7 in. section .....
12724	1073	Starting Rod (end) Collar with 363c
12725	1079	“ “ “ (right), for 3 ft. 7 in. section .....
12726	1079	Starting Rod (intermediate), for 3 ft. 7 in. section .....



## Numerical List of Parts

No.	Plate	Name
12727	1073	Starting Rod (intermediate) Collar with 363c .....
12728	1076	Stop Bracket with 363c, 12641 and two 190b .....
12729	1076	Stop Bracket (for return machine) ..
12730	1071	" " Pawl .....
12731	1077	Stretching Arm with 429c, 453c, 795c and 1513f .....
12732	1077	Stretching Arm Lever .....
12733	1073	" " " Link .....
12734	1073	" Clamp (inside) .....
12735	1073	" " " Bracket with 453c .....
12736	1073	Stretching Clamp (outside) .....
12738	1071	" " (inside) Hinge Pin ..
12738	1071	" " (outside) Hinge Pin ..
12739	1079	Track Rod (end, upper) (left), length 4 ft. 7 in., for 3 ft. 7 in. section ..
12740	1079	Track Rod (intermediate) (upper), length 3 ft. 7 in., for 3 ft. 7 in. section .....
12742	1079	Hanger Bracket Stay Bar (end) (left), length 3 ft. 8½ in., for 3 ft. 7 in. section .....
12743	1076	Hanger Bracket Stay Bar Coupling with 795c .....
12744	1076	Hanger Bracket Stay Bar Coupling Bracket with 795c .....
12745	1078	Brace (short), for 3 ft. 7 in. section ..
12748	1093	Guide, to sew extra thick serged edge ..
12749	1054	Looper Thread Spool Rest Disc ....
12749	1054	Needle Thread Spool Rest Disc ....
12750	1054	Looper Thread Cone Center (wood) ..
12750	1054	Needle Thread Cone Center (wood) ..
12751	1054	Looper Thread Spool Clamping Disc ..
12751	1054	Needle Thread Spool Clamping Disc ..
12753	1095	Wrench, for 873 .....
12754	1080	Tool Tray .....
12756	1054	Looper Thread Spool Bracket .....
12757	1054	Needle Thread Spool Bracket .....
12759	1057	Friction Wheel Latch Spring, for 12519 and 12915 .....
		Nos. 12760 to 12768, for 12769
12760	1076	Clamp (stretching) Strap Eyelet ..
12761	1071	" " Jaw Hinge Pin ....
12761	1071	" " Strap Eyelet Hinge Pin .....

## Numerical List of Parts

No.	Plate	Name
12762	1076	Clamp (stretching) Jaw (right) ....
12763	1076	" " " (left) ....
12764	1076	" " Link .....
12765	1071	" " Hinge Pin .....
12766	1071	" " Spring .....
12767	1071	" " " Hook, for 12762 ..
12768	1071	" " " " " 12763 ..
12769	1076	Clamp (stretching) complete, Nos. 12760, 12762, 12763, 12766 to 12768, two each 12761, 12764 and 12765 ..
12770	1072	Belt Coupling Joint Ball, for 12772 ..
12771	1072	" " " " Rivet, for 12772 .....
12772	----	Belt Coupling Joint complete, Nos. 12771, two each 873c and 12770, for 12610 .....
12773	1072	Belt Coupling Sleeve, for 12610 ....
12774	1057	Gauge, for 12512 and 12542 .....
12776	1087	Driving Belt Roller Support (right) with two 453c .....
		Nos. 12778 to 12780, for 12789
12778	1077	Power Transmitter Frame with three 968c .....
12779	1077	Power Transmitter Gear with 445c and 888c .....
12780	1077	Power Transmitter Gear Cover .....
12782	1077	" " Machine Driving Pulley, 8 in. diam., with 445c and 888c, for 12789 .....
		Nos. 12784 to 12787, for 12789
12784	1075	Power Transmitter Machine Driving Pulley Shaft .....
12785	1075	Power Transmitter Machine Driving Pulley Shaft Bushing (eccentric) ..
12786	1077	Power Transmitter Machine Return Pulley, 6½ in. diam., with 445c and 888c .....
12787	1075	Power Transmitter Machine Return Pulley Shaft .....
12789	----	Power Transmitter complete, Nos. 12778 to 12780, 12782, 12784 to 12787, 12838 and three 145c .....
12790	1093	Guide, to sew Matting .....
12791	1093	" " " " .....
12792	1093	" " " " .....
12793	1093	" " " " .....

## Numerical List of Parts

No.	Plate	Name
Nos. 12794 to 12796, for 12801		
12794	1077	Counter Shaft Driving Belt Bracket with three 363c .....
12795	1075	Counter Shaft Driving Belt Bracket Shaft .....
12796	1079	Counter Shaft Driving Belt Bracket Shaft Pulley, 8 in. diam. (grooved, loose) .....
12797	1078	Counter Shaft Driving Belt Bracket Shaft Pulley, 8 in. diam. (flat), with 909c .....
12798	1078	Counter Shaft Driving Belt Bracket Shaft Pulley, 9 in. diam. (flat), with 909c .....
12799	1078	Counter Shaft Driving Belt Bracket Shaft Pulley, 10 in. diam. (flat), with 909c .....
12800	1078	Counter Shaft Driving Belt Bracket Shaft Pulley, 12 in. diam. (flat), with 909c .....
12801	—	Counter Shaft complete, Nos. 524c, 12794 to 12796, 12805, 12810, 14044 and 202244 .....
12803	1094	Guide, to sew Matting .....
12804	1064	" " " Moquette (turned edge) .....
12805	1079	Counter Shaft Driving Belt Bracket Pulley, 8 in. diam. (grooved, tight), with 909c, for 12801 .....
12806	1073	Stretching Clamp (inside) Spring ..
12807	1073	" " (outside) Spring ..
12808	1073	" " Shield .....
12809	1080	Guide Rack (wood) with eight name plates and sixteen pins .....
12810	1078	Counter Shaft Driving Belt Bracket Shaft Pulley, 11 in. diam. (flat), with 909c, for 12801 .....
12811	—	Belt Adjuster complete, Nos. 12690, 12700, 12719, 12720, two each 819c, 12691, 12692 and three 967E .....
12812	1080	Leg Brace .....
12813	1072	Brace Angle (upper) Bolt Washer ..
12813	1072	Leg Brace Bolt Washer .....
12814	1064	Guide, to sew Matting .....
12815	1064	" " " " .....

## Numerical List of Parts

No.	Plate	Name
Nos. 12816 to 12819, for 12820		
*12816	1075	Binding Holder Base .....
12817	1075	" " Bracket .....
*12818	1075	" " Rim .....
12819	1075	" " Supporting Arm ..
12820	1075	Binding Holder complete, Nos. 172c, 236F, 401E, 812B, 1621E, 12816 to 12819, 12821, 12822, two 402D and three 233D, for 12823 .....
12821	1075	Binding Tension Spring, for 12820 ..
12822	1075	" " Bracket, for 12820 .....
12823	—	Binder complete, Nos. 12820 and 12824 .....
12824	1075	Guide, for binding, for 12823 .....
12825	1079	Track Rod (end, upper) (right), length 4 ft. 7 in., for 3 ft. 7 in. section .....
12826	1079	Track Rod (intermediate) (upper), length 3 ft. 7 in., for 12690, for 3 ft. 7 in. section .....
12827	1079	Track Rod (end, lower) (left and right), length 4 ft. 7 in., for 3 ft. 7 in. section .....
12828	1079	Track Rod (intermediate) (lower), length 3 ft. 7 in., for 3 ft. 7 in. section .....
12829	1079	Track Rod (intermediate) (lower), length 3 ft. 7 in., for 12690, for 3 ft. 7 in. section .....
12830	1079	Track Rod (lower), length 3 ft. 7 in., for 12687 .....
12831	1079	Track Rod (upper), length 3 ft. 7 in., for 12687 .....
12832	1079	Hanger Bracket Stay Bar (end) (right), length 3 ft. 9½ in., for 3 ft. 7 in. section .....
12834	1071	Clamping Arm Spring .....
12835	1072	Hanging Arm Spur Holder 12717 with 12716 .....
12836	1080	Hanger, for 12718 with 12614, two each 430c, 445c and 1520J .....
12837	1080	Hanger Bracket, for use with 599 ..
12838	1087	Power Transmitter Pinion with 445c and 888c, for 12789 .....
12844	1088	Guide Holder Plate, for 12848 .....
12847	1091	" " Body, for 12848 .....

## Numerical List of Parts

No.	Plate	Name
12848	---	Guide Holder complete, Nos. 212F, 1149c, 12844 and 12847 .....
*12849	---	Looper Bracket .....
12850	1089	" Lever with 193F .....
12852	1090	Needle Guide .....
12855	1091	Piler .....
12857	1090	" Connecting Rod .....
12858	1092	Roller (lower) Stud (right) .....
12859	1083	Spreader .....
12860	1083	" Connecting Rod (rack) .....
12861	1083	" " " Plate .....
12862	1091	" Lever .....
12863	1083	" " Cap .....
12864	1083	" Pinion .....
12865	1083	" " Cover .....
12866	1091	Stop Lever .....
12867	1083	" " Spring Support Pin .....
12868	1094	Guide, to sew Matting (flat seam) ..
12869	1090	Needle Slide Gib .....
12870	1090	Looper Lever Strap .....
12871	1089	" Thread Spool Post, 5½ in. long
12871	1089	Needle Thread Spool Post .....
12873	1094	Guide, to sew Nap Axminster (coarse) .....
12874	1094	Guide, to sew Moquette (flat seam)
12875	1094	" " " Nap Axminster (coarse)
12876	1094	" " " Wilton (for taking the fullness) .....
12878	---	Brace (long), for 3 ft. section .....
12879	---	" (short), for 3 ft. section .....
12880	---	Feed Rack (intermediate), for 3 ft. section .....
12881	---	Hanger Bracket Stay Bar (end) (left), length 3 ft. 1½ in., for 3 ft. section .....
12882	---	Hanger Bracket Stay Bar (end) (right), length 3 ft. 2½ in., for 3 ft. section .....
12883	---	Hanger Bracket Stay Bar (intermediate), length 3 ft., for 3 ft. section
12884	---	Starting Rod (end) (left), for 3 ft. section .....
12885	---	Starting Rod (end) (right), for 3 ft. section .....
12886	---	Starting Rod (intermediate), for 3 ft. section .....
12887	---	Track Rod (end, lower) (left and right), length 4 ft., for 3 ft. section

## Numerical List of Parts

No.	Plate	Name
12888	---	Track Rod (end, upper) (left), length 4 ft., for 3 ft. section .....
12889	---	Track Rod (end, upper) (right), length 4 ft., for 3 ft. section .....
12890	---	Track Rod (intermediate) (lower), length 3 ft., for 3 ft. section .....
12891	---	Track Rod (intermediate) (lower), length 3 ft., for 12690, for 3 ft. section .....
12892	---	Track Rod (intermediate) (upper), length 3 ft., for 3 ft. section .....
12893	---	Track Rod (intermediate) (upper), length 3 ft., for 12690, for 3 ft. section .....
12895	1088	Feed Guide Stud (eccentric) .....
12898	1089	Needle Slide Guide Block .....
12899	1090	" " " " Stud .....
12902	1086	Piler Connecting Rock Guide (for use when piler is disconnected) ..
12903	---	Counter Shaft Driving Belt Bracket Shaft Pulley, 13 in. diam. (flat), with 909c .....
12904	---	Counter Shaft Driving Belt Bracket Shaft Pulley, 14 in. diam. (flat), with 909c .....
12905	---	Counter Shaft Driving Belt Bracket Shaft Pulley, 15 in. diam. (flat), with 909c .....
12906	1094	Guide, to sew heavy Axminster .....
12909	1094	" " " Wilton .....
12910	1094	" " " Moquette (turned edge)
12911	1094	" " " extra thick serged edge
12912	1094	" " " Saxony and Wilton ..
12913	---	Counter Shaft Driving Belt, width 1½ in., length 10 ft. 2 in. (flat), with three 25029 .....
12914	1087	Driving Wheel, for 12915 .....
12915	---	Driving Wheel complete, Nos. 401E, 12514, 12515, 12517, 12518, 12759, 12914 and two 12516 .....
*12916	---	Frame .....
12917	1089	Needle Cam with 448c .....
12918	1089	" Slide .....
12919	1089	" " Lever with 1951 .....
12920	1090	" " " Hinge Stud .....
12921	1090	" " " Link .....
12922	1090	" Thread Take-up Block .....
12923	1091	Shaft .....

## Numerical List of Parts

No.	Plate	Name
12924	1087	Driving Belt Guard .....
12925	1087	" " Roller .....
14044	1072	Counter Shaft Driving Belt Bracket Shaft Screw Washer, for 12801 ..
19221	1095	Wrench, for 611 .....
25029	1088	Counter Shaft Driving Belt Hook, for 12193 .....
26151	1095	Screw Driver, Nos. 120090 and 120091
26346	1095	Pliers (4 in. flat nose) .....
50252F	1088	Grip Lever Lock Regulating Screw..
50252F	1088	Looper Lever Strap Division Block Screw .....
51001C	1086	Stretching Arm Lever Link Hinge Screw (for first section) .....
51072E	—	Tool Tray Bolt, 2½ x ¼ in., with 51581E .....
51077E	1087	Guide Rack Bolt, 3 x ¼ in., with 51581E
51581E	—	" " " Nut, for 51077 ....
51581E	—	Tool Tray Bolt Nut, for 51072 .....
*120090	—	Screw Driver Handle, for 26151 ....
*120091	—	" " Blade, for 26151 .....
120346	1095	Oiler (copper plated) with 120347 ..
120347	1095	" Spout, 9 in. long, for 120346 ..
201669D	1090	Needle Slide Guide Block Position Screw Nut .....
202244	—	Counter Shaft Driving Belt Bracket Shaft Oil Wick, for 12801 .....
210805	1086	Guide Rack Bolt Washer .....
210805	1086	Tool Tray Bolt Washer .....
255513	1095	Tweezers .....
350258E	1090	Needle Slide Guide Block Position Screw .....

**SINGER** Needles should be used  
in **SINGER** Machines  
These Needles and their Containers  
are marked with the  
Company's Trade Mark "SIMANCO.\*\*\*" 1

Needles in Containers marked  
"FOR SINGER MACHINES"  
are NOT **SINGER** made needles. 2

## PLATE 1054—ONE-HALF SIZE

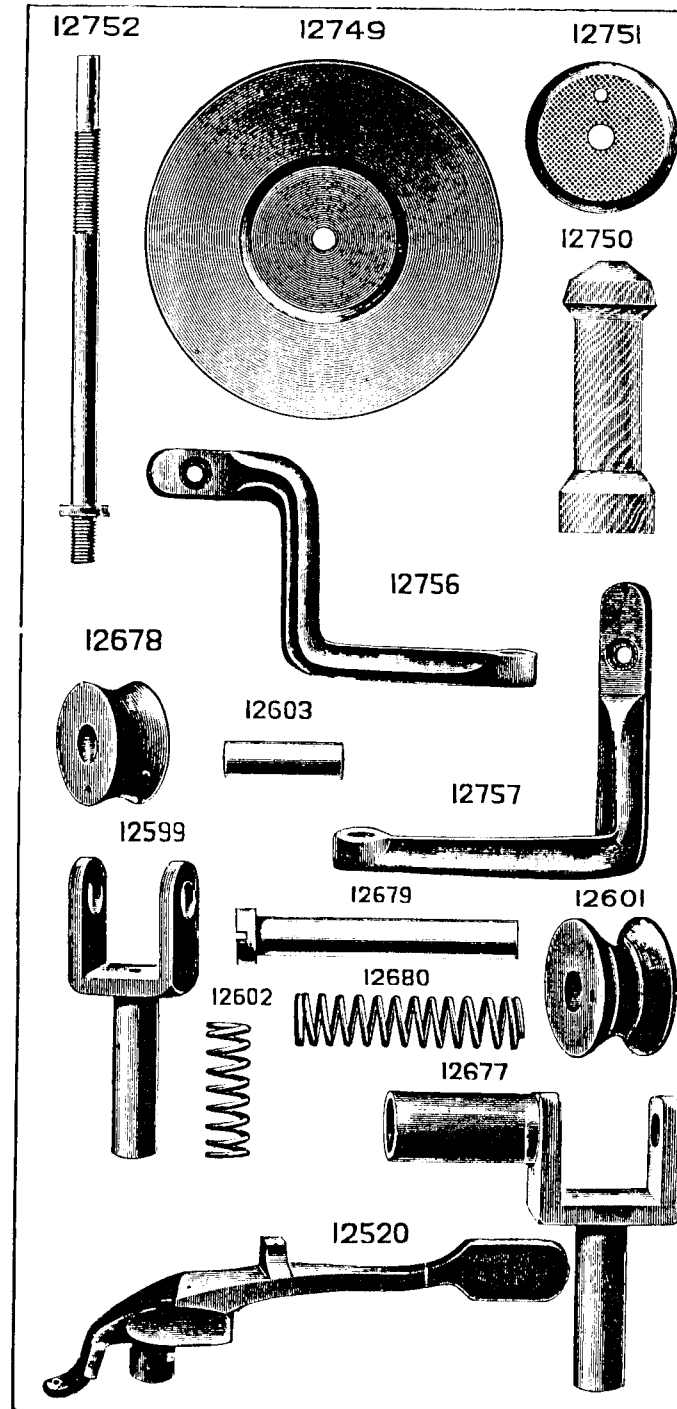


PLATE 1057—FULL SIZE

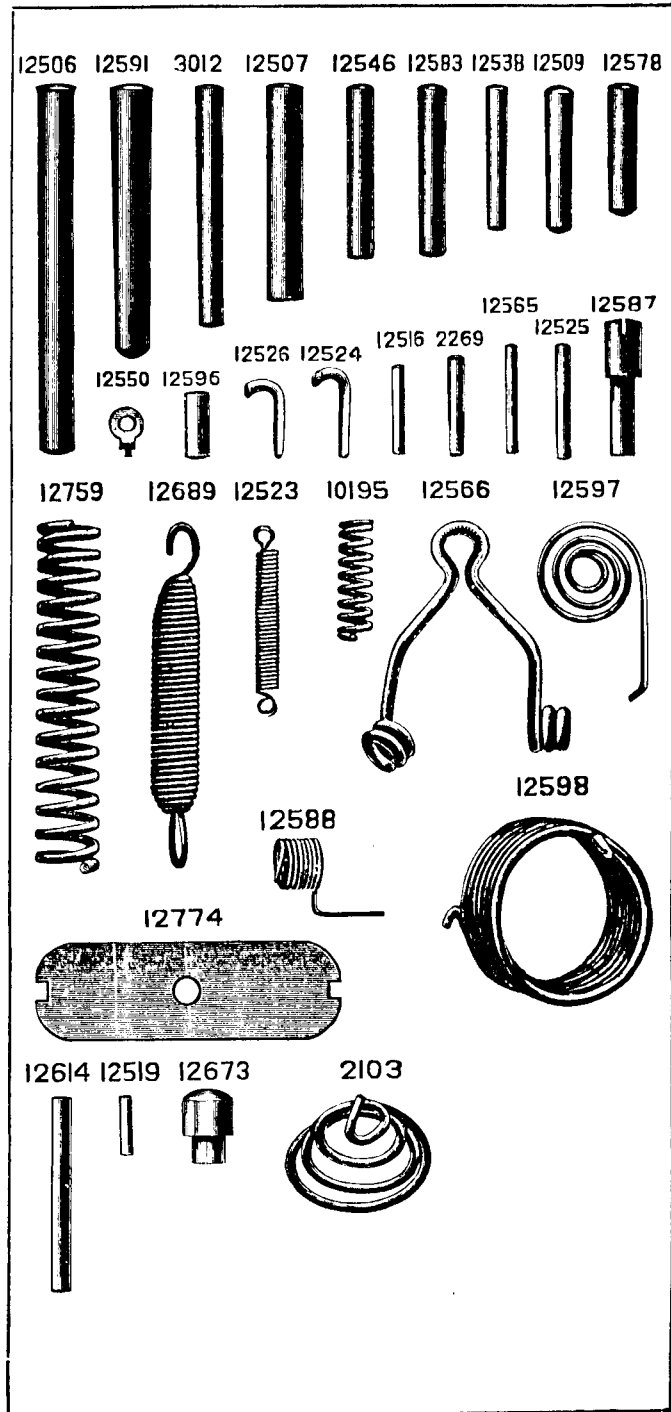


PLATE 1058—FULL SIZE

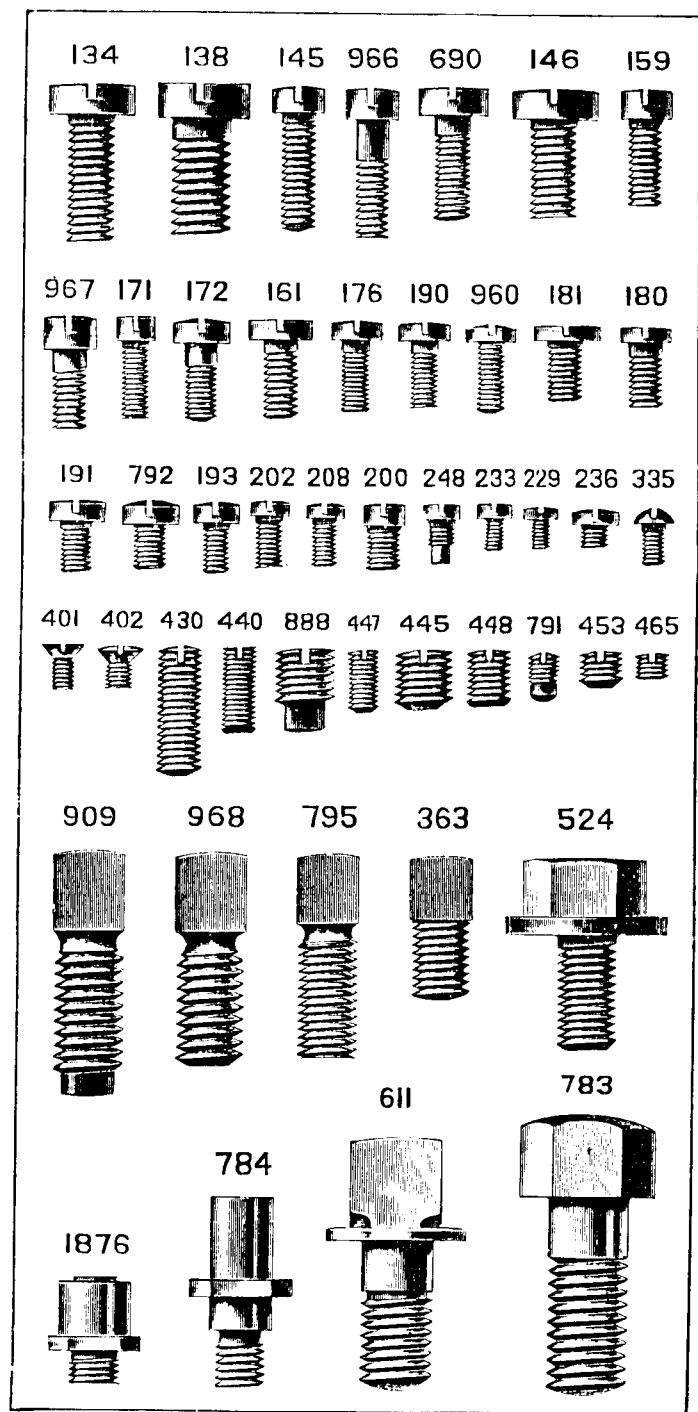


PLATE 1059—FULL SIZE

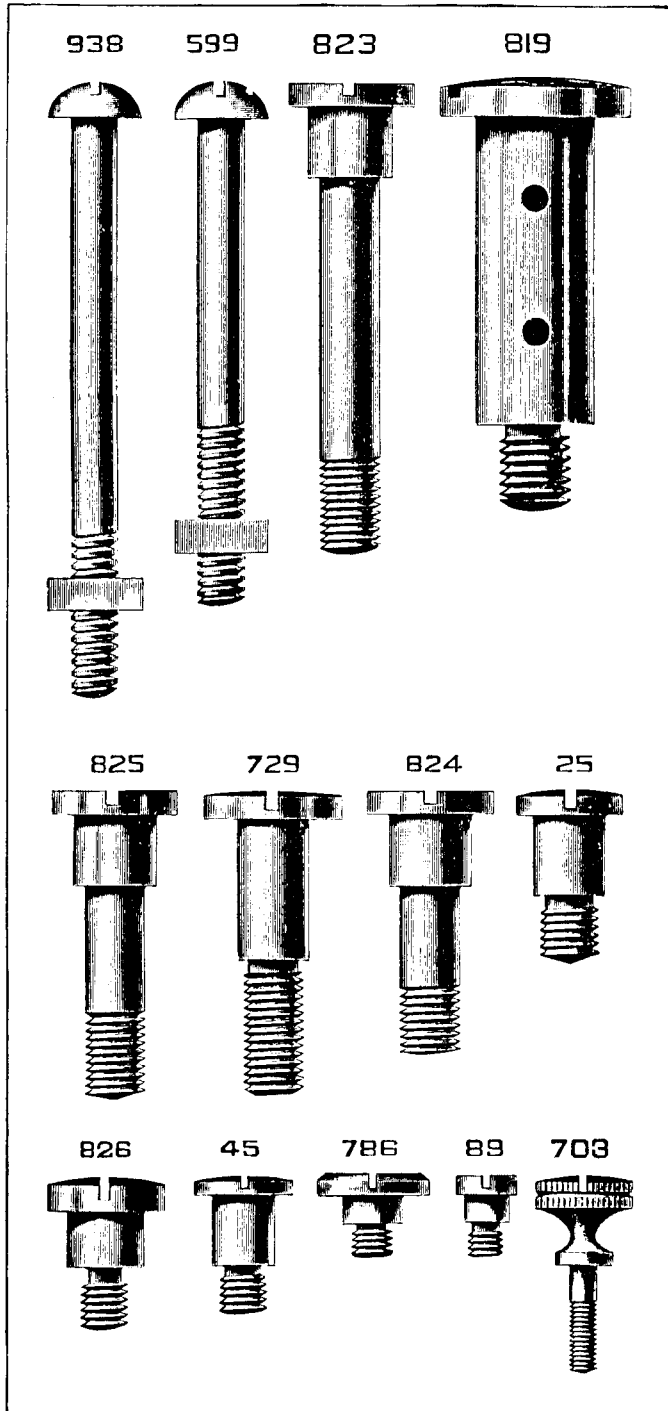


PLATE 1060—FULL SIZE

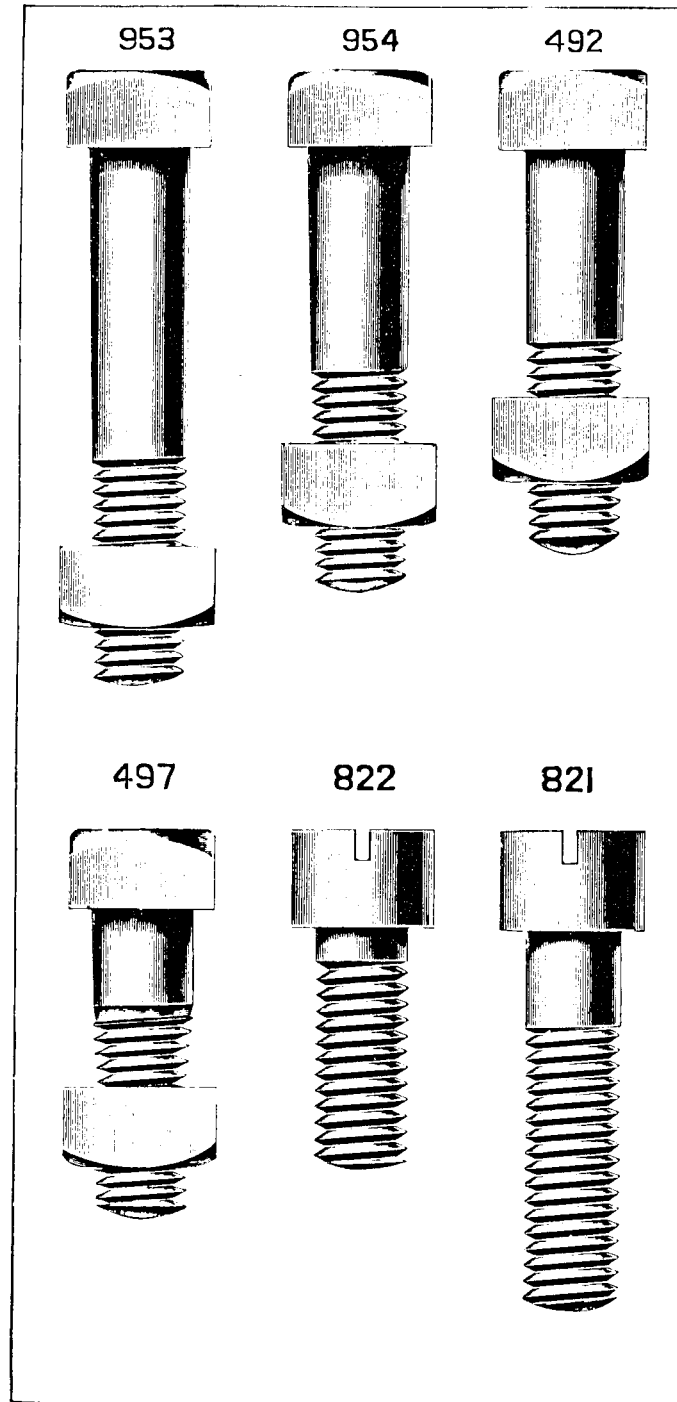


PLATE 1061—FULL SIZE

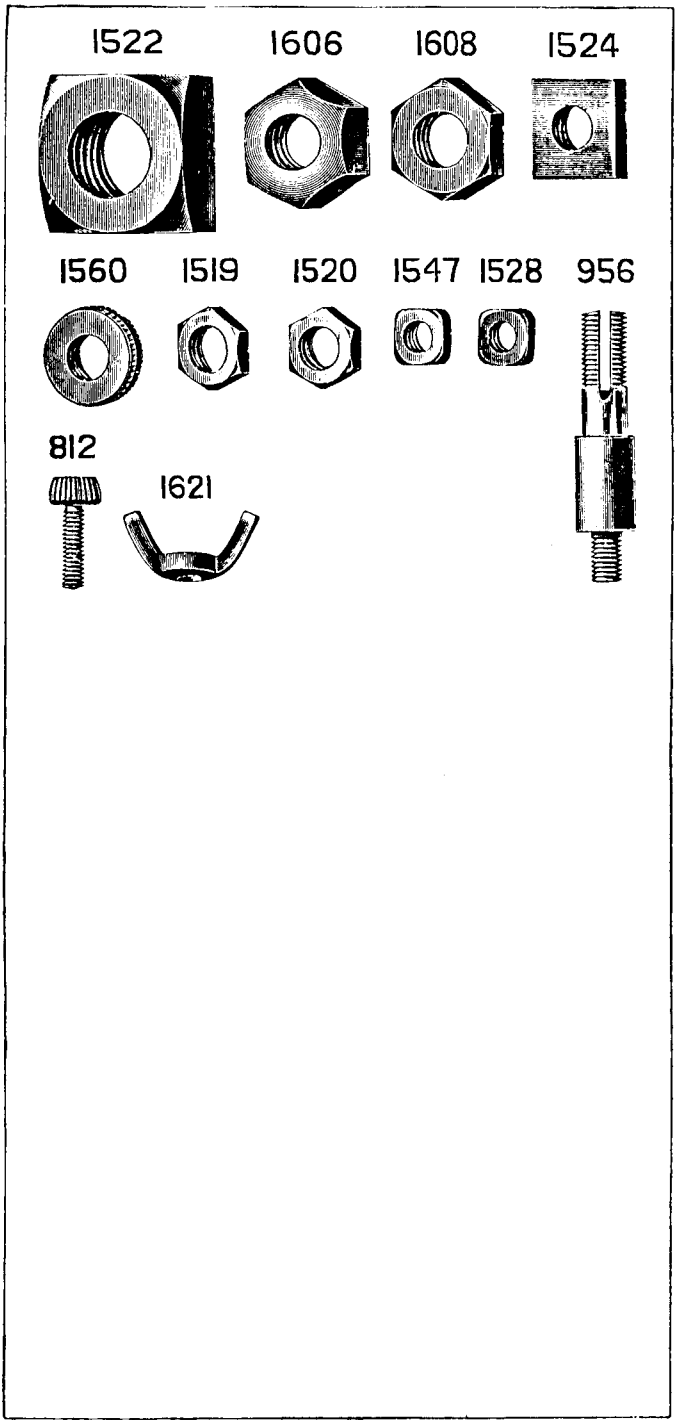
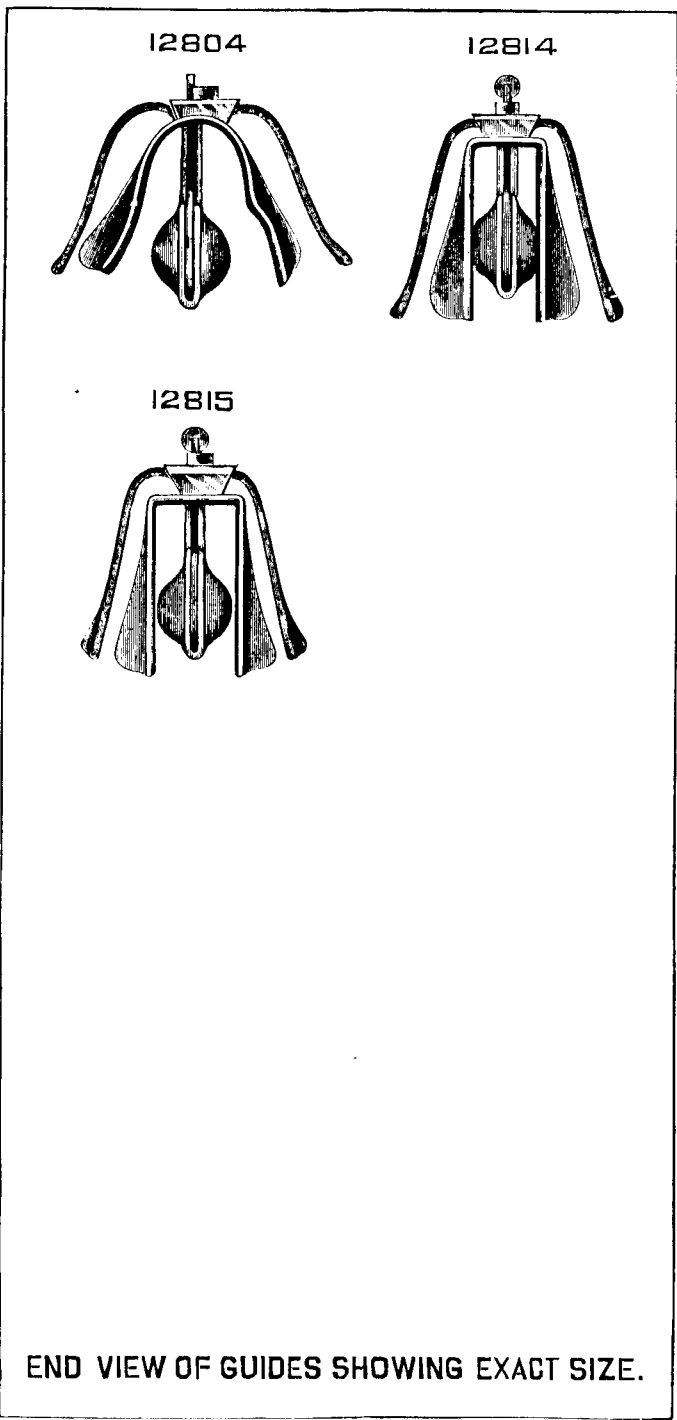


PLATE 1064—FULL SIZE



From the library of: Diamond Needle Corp

PLATE 1071—FULL SIZE

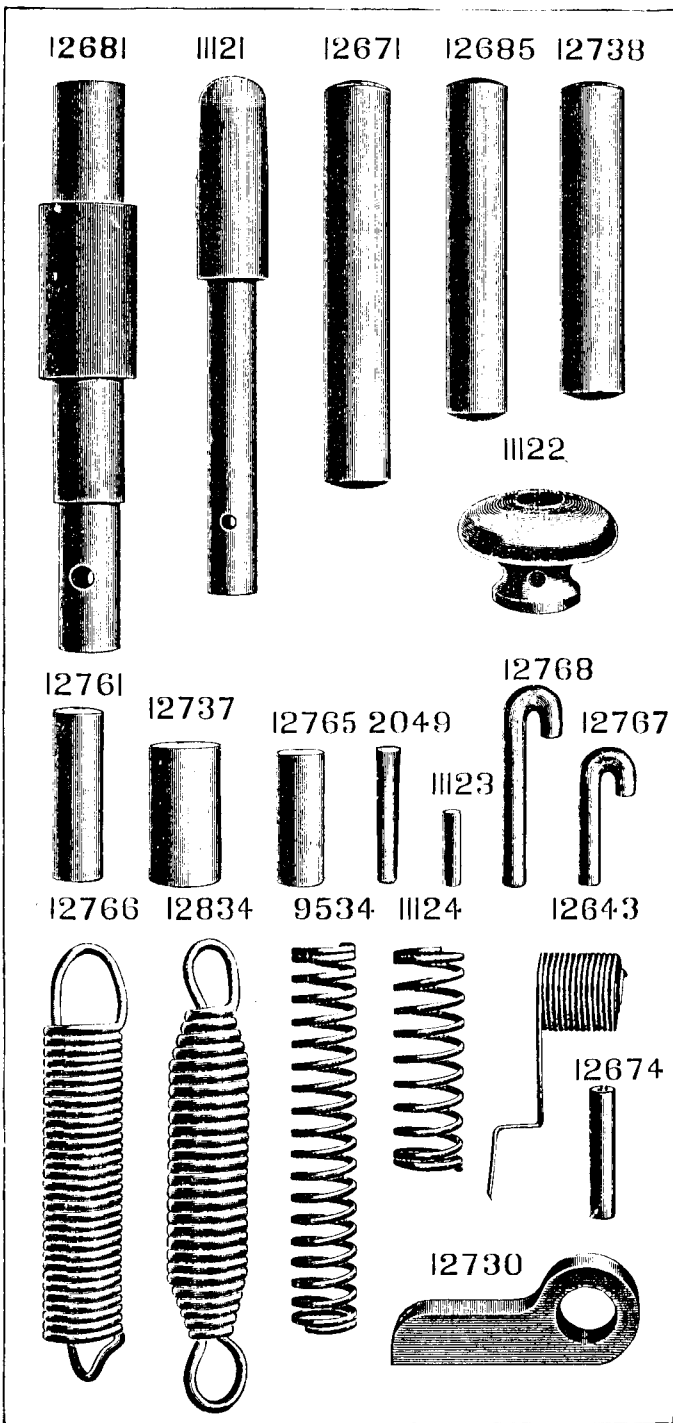


PLATE 1072—FULL SIZE

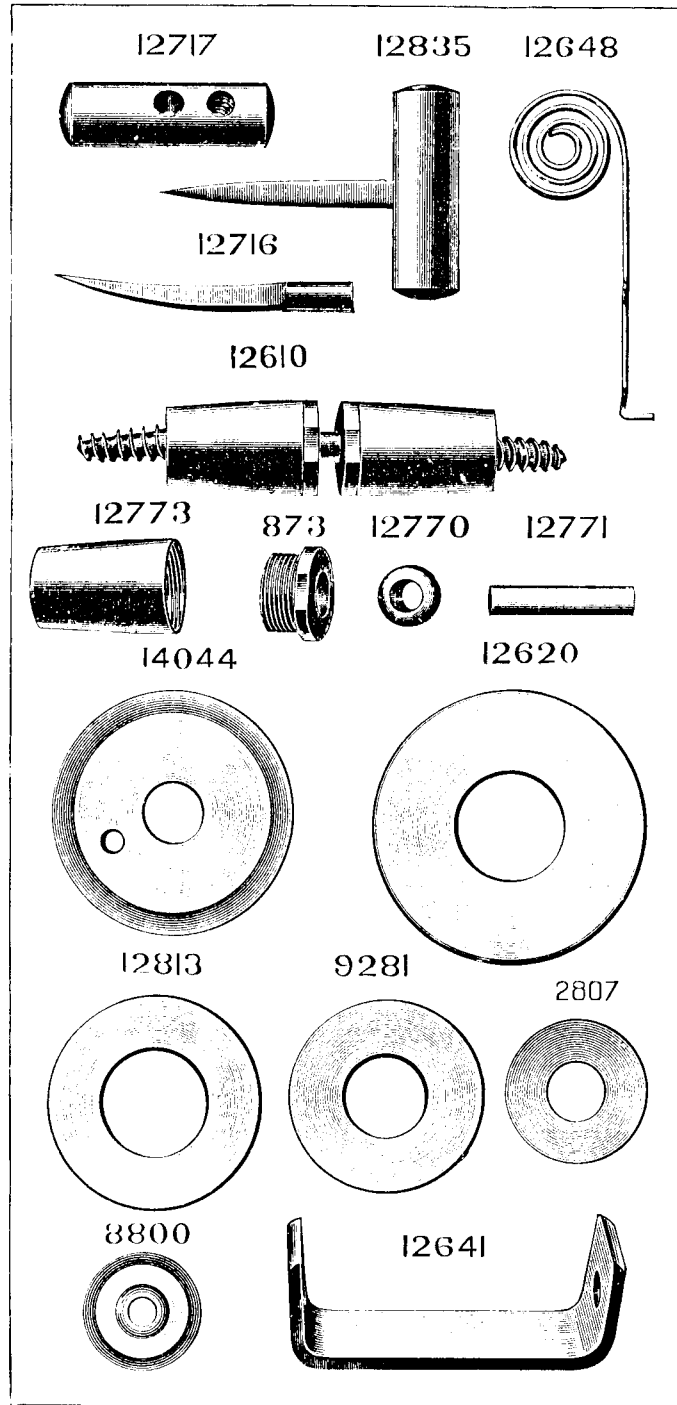




PLATE 1073—ONE-HALF SIZE

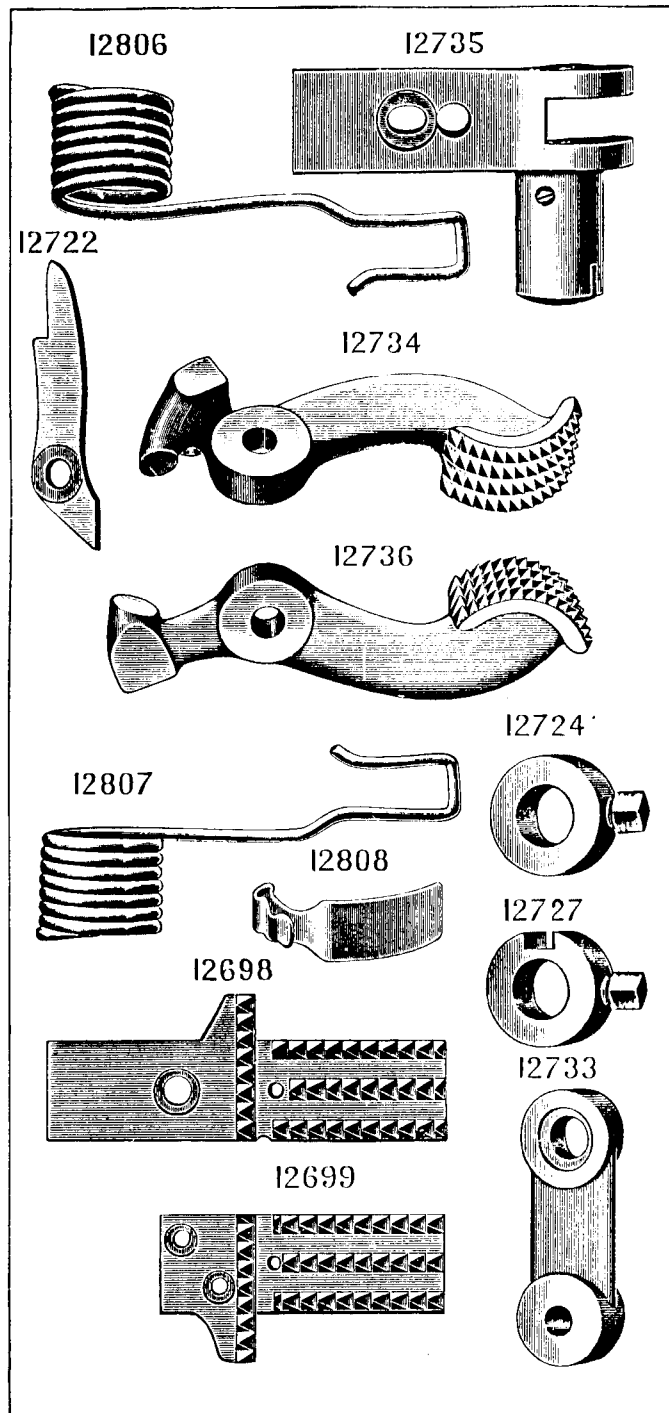


PLATE 1075—ONE-HALF SIZE

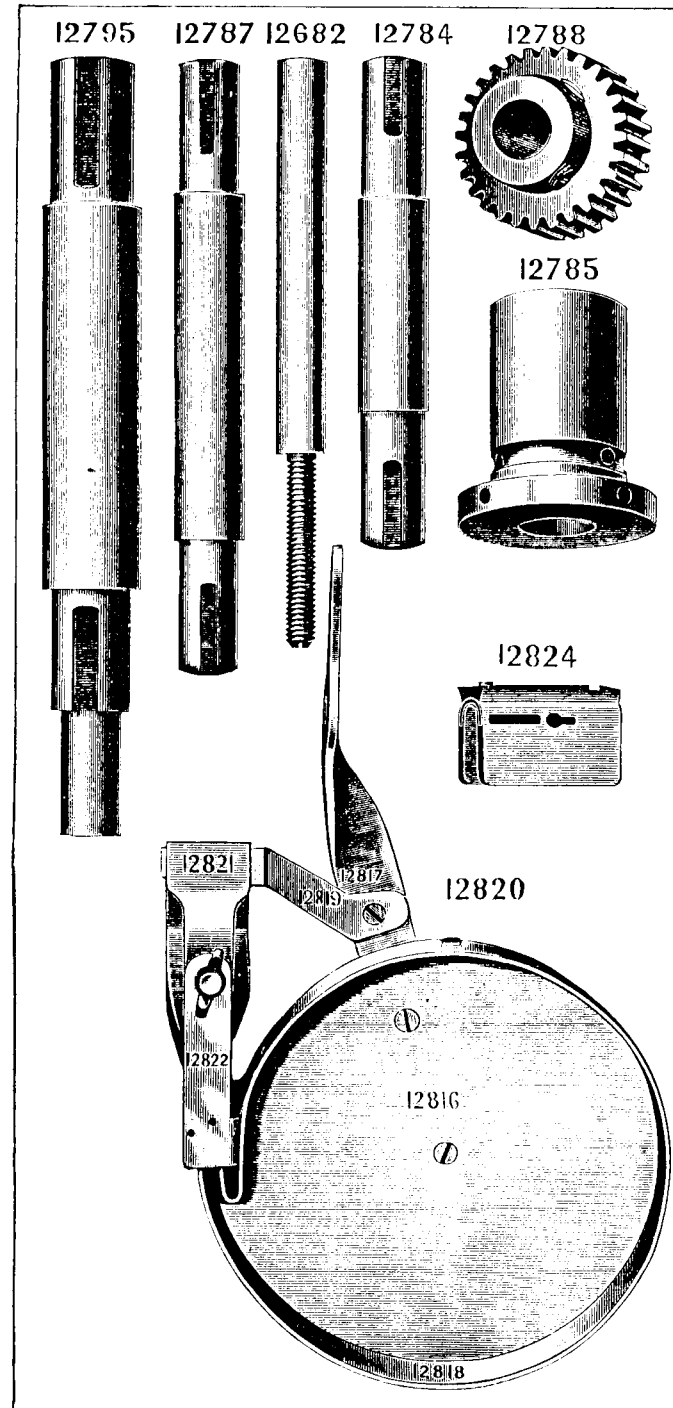


PLATE 1076—ONE-FOURTH SIZE

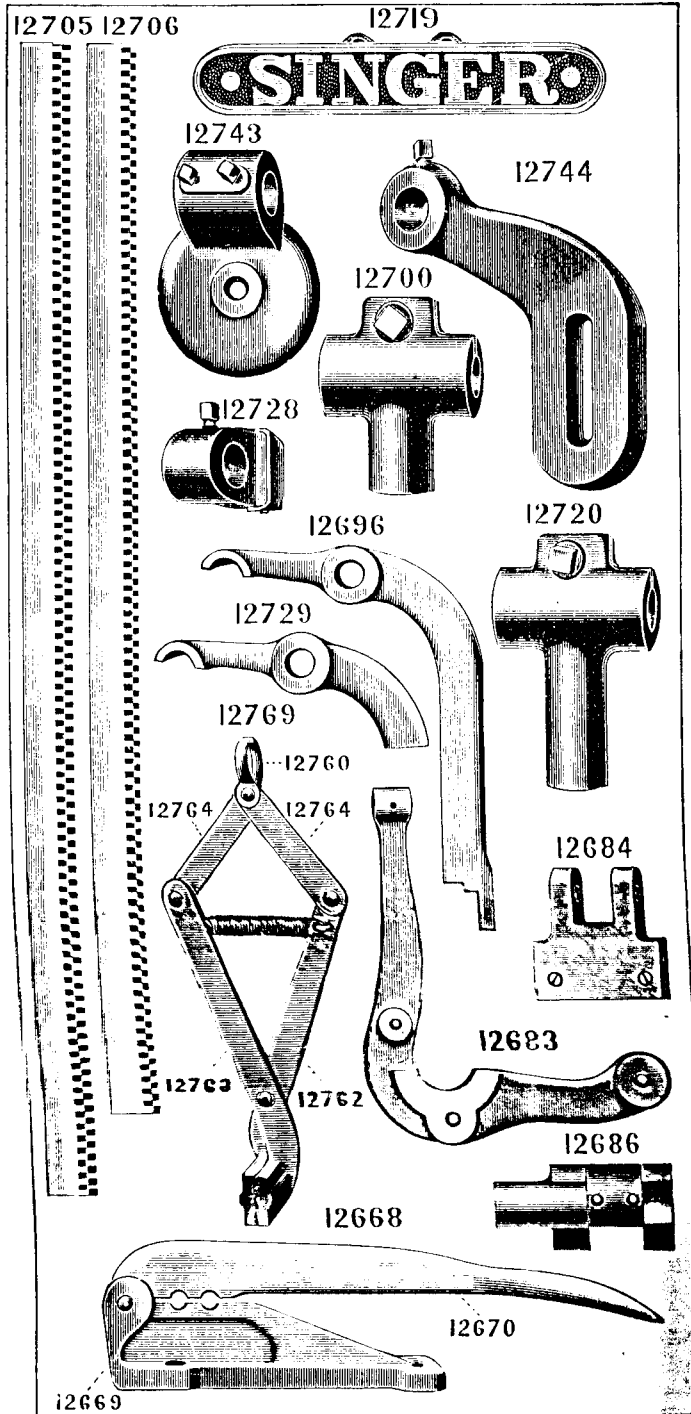


PLATE 1077—ONE-EIGHTH SIZE

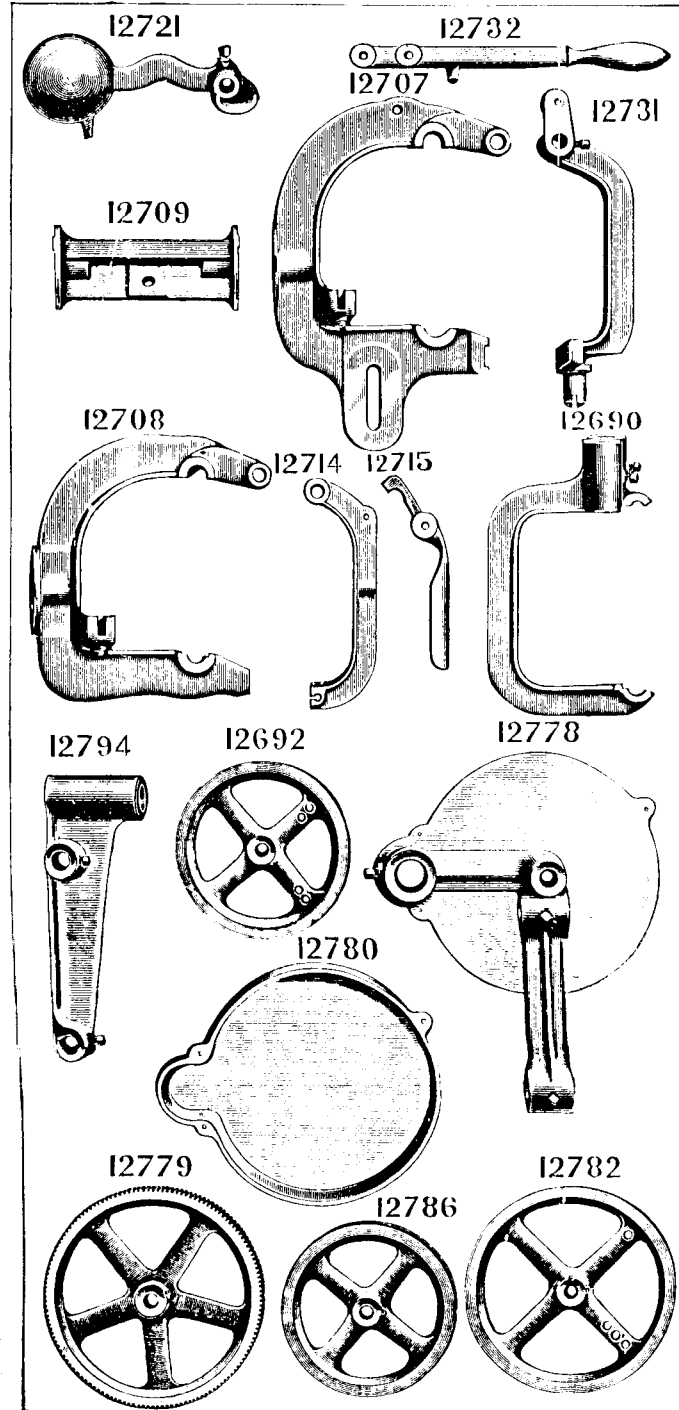


PLATE 1078—ONE-EIGHTH SIZE

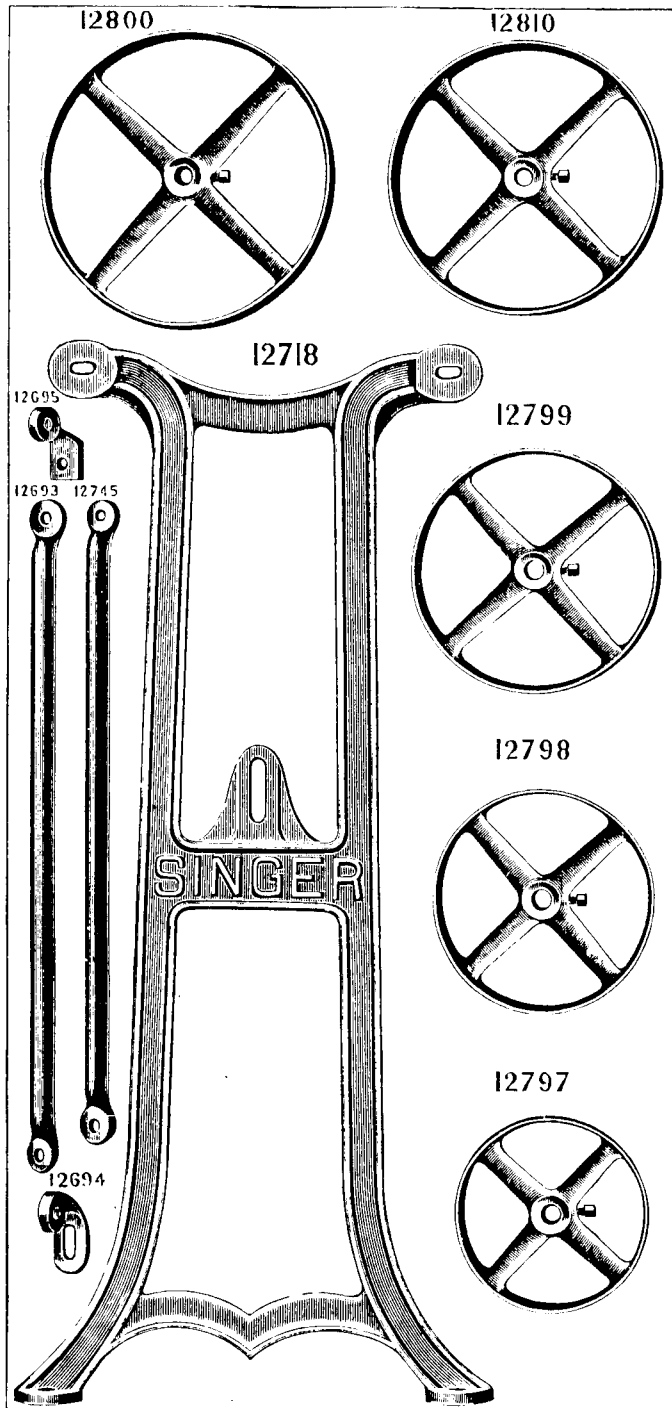


PLATE 1079—ONE-EIGHTH SIZE

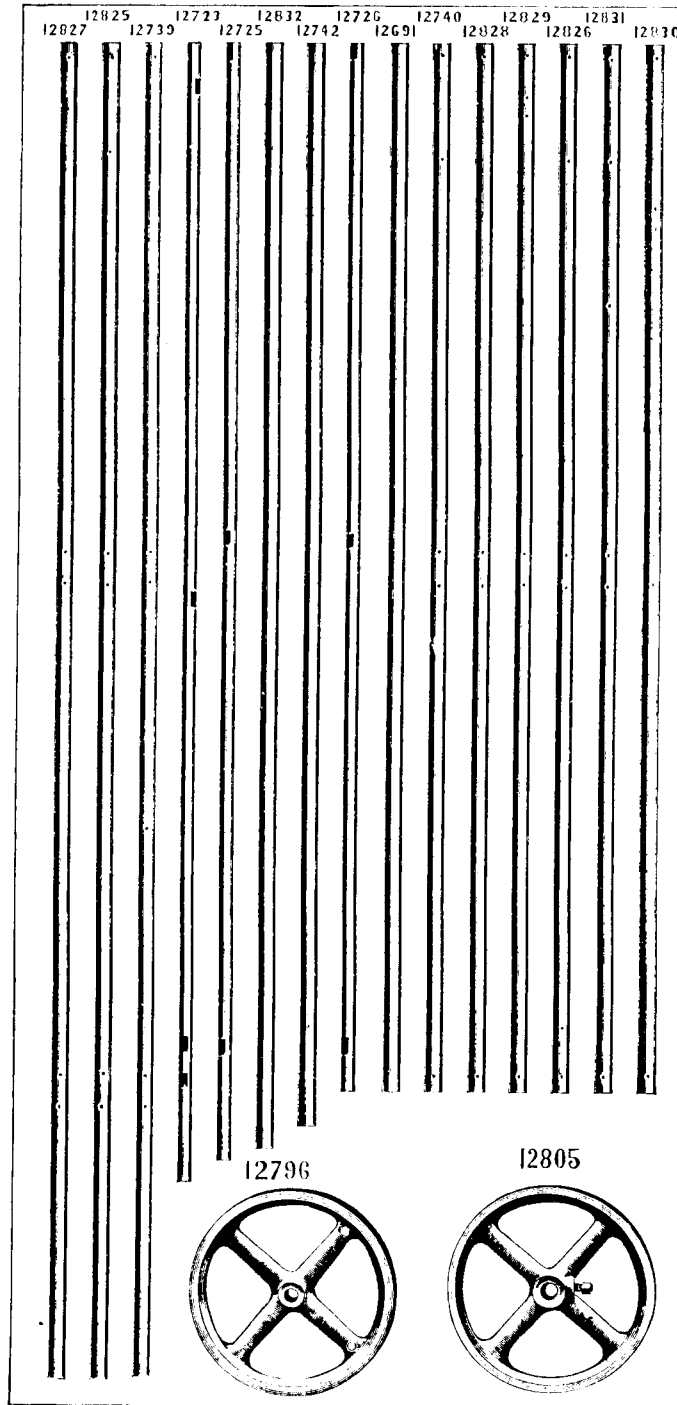


PLATE 1080—ONE-EIGHTH SIZE

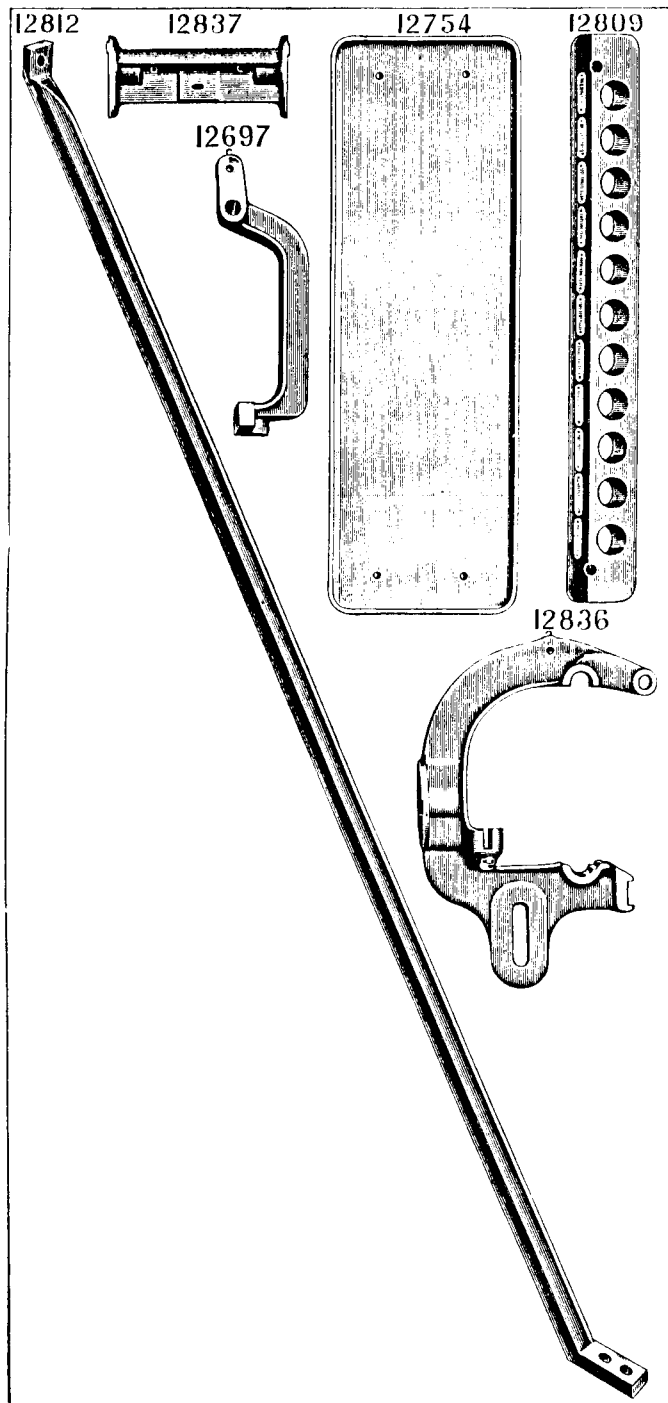
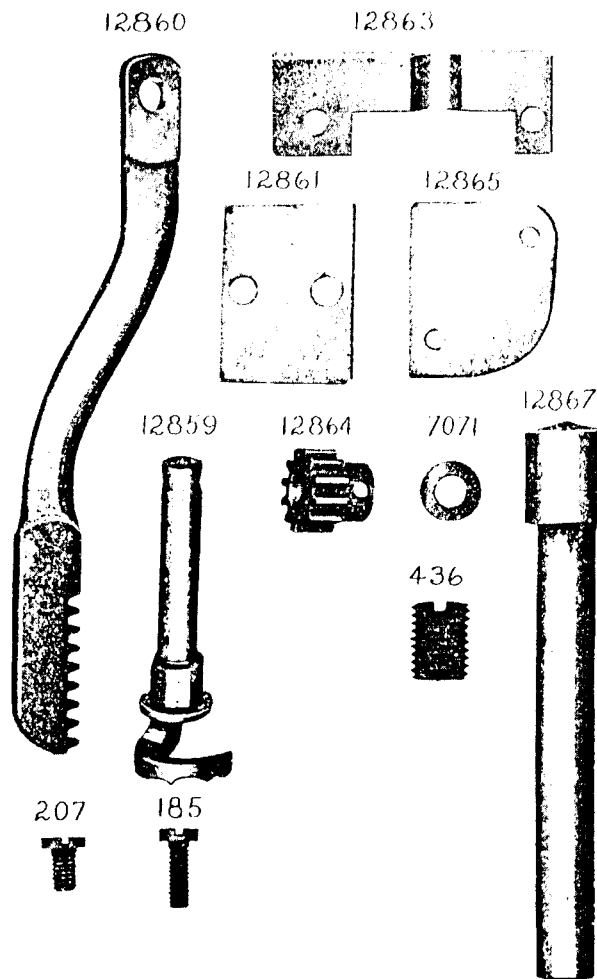


PLATE 1083—FULL SIZE



From the library of: Diamond Needle Corp

PLATE 1086—FULL SIZE

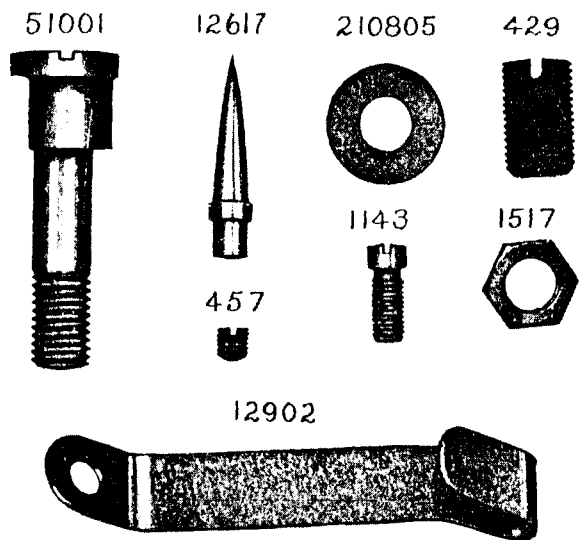
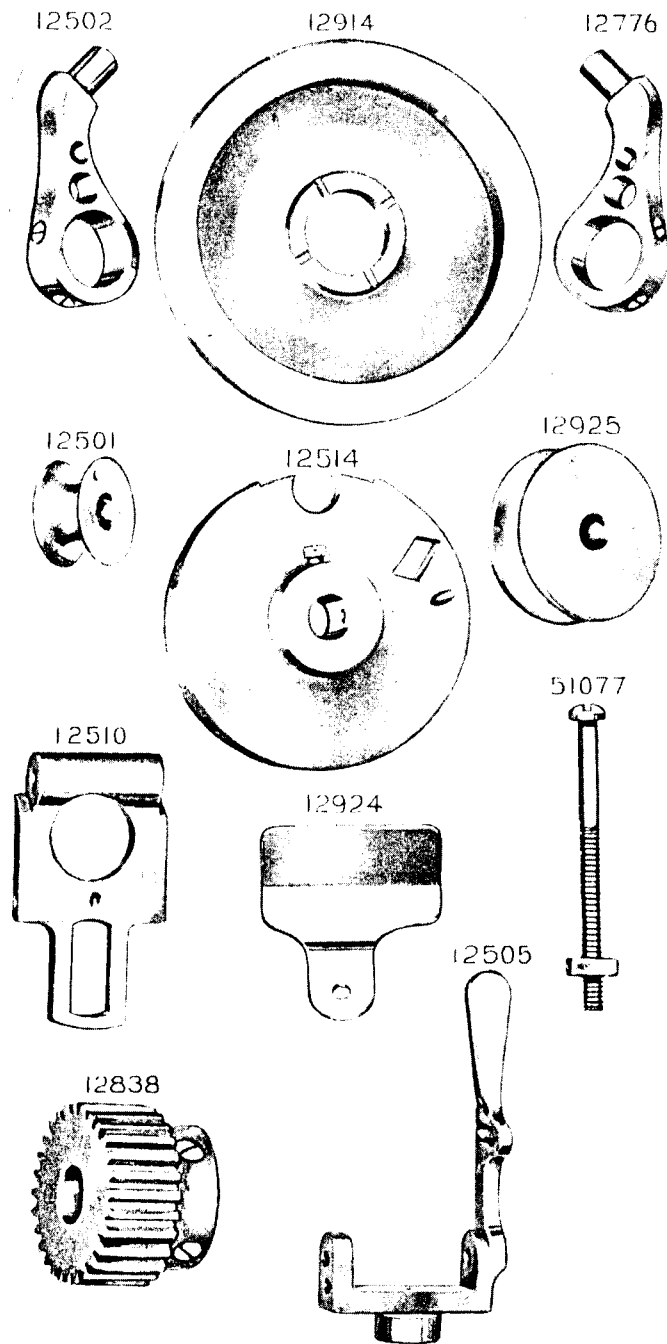


PLATE 1087—ONE-HALF SIZE



From the library of: Diamond Needle Corp

PLATE 1088—FULL SIZE

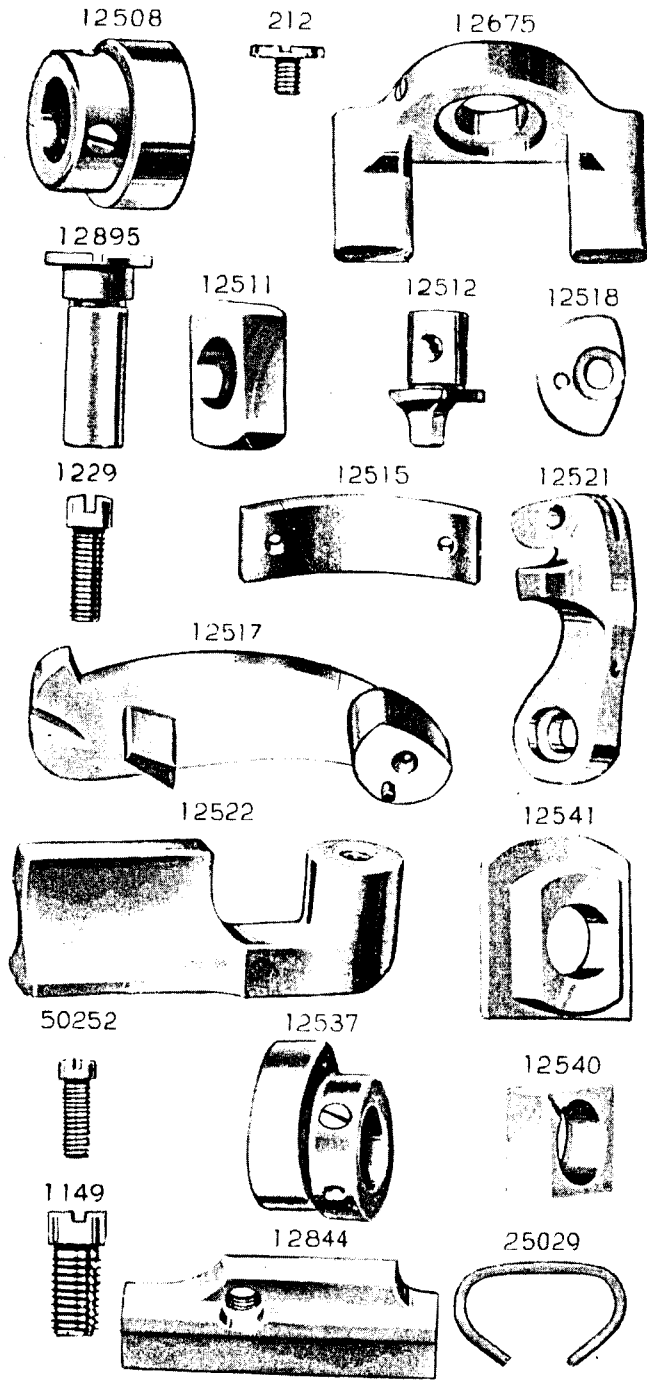
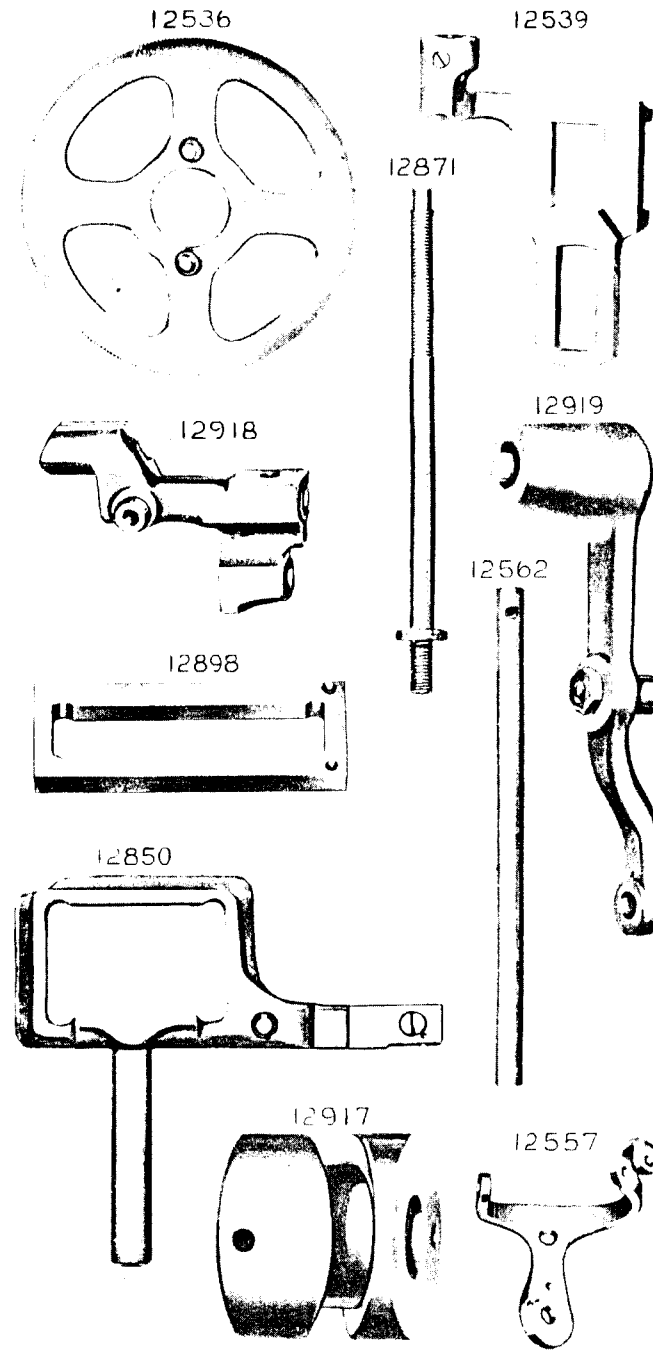


PLATE 1089—ONE-HALF SIZE



From the library of: Diamond Needle Corp

PLATE 1090—FULL SIZE

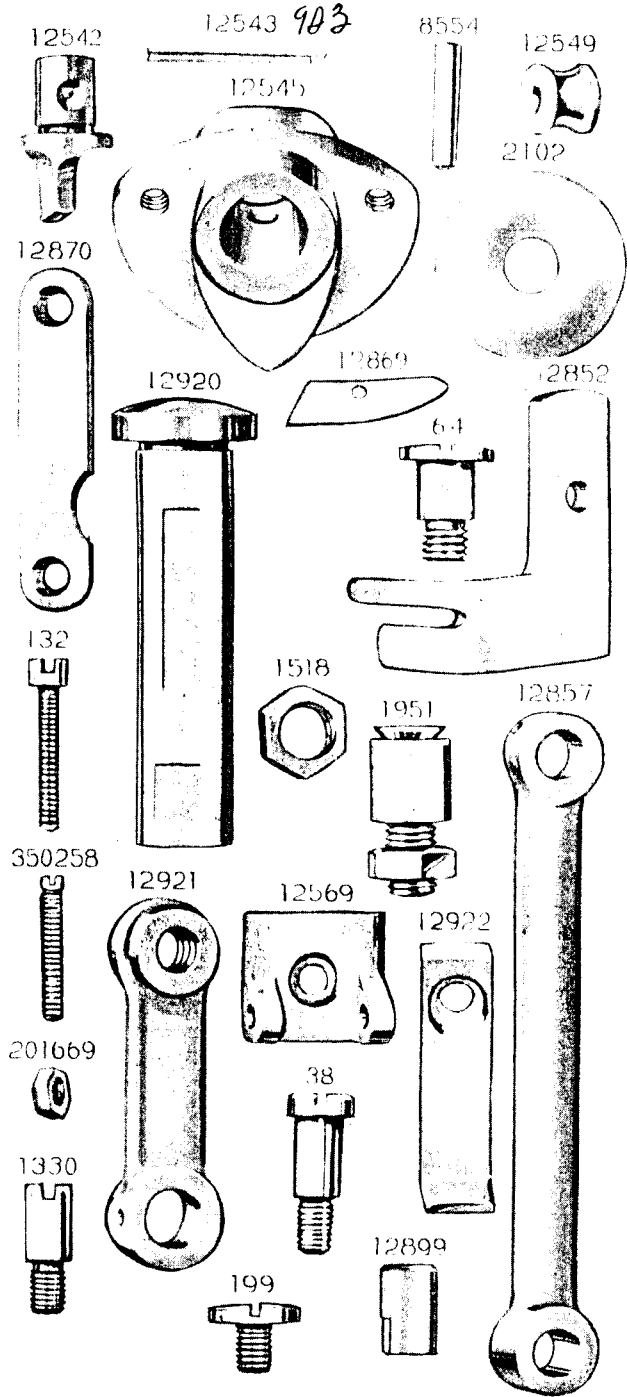
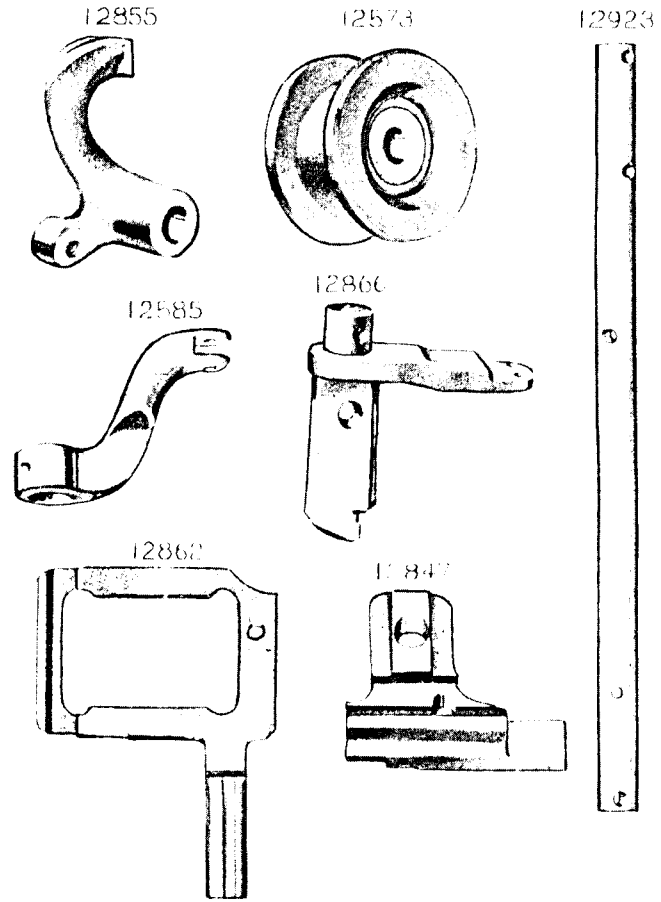


PLATE 1091—ONE-HALF SIZE



From the library of: Diamond Needle Corp

PLATE 1092—FULL SIZE

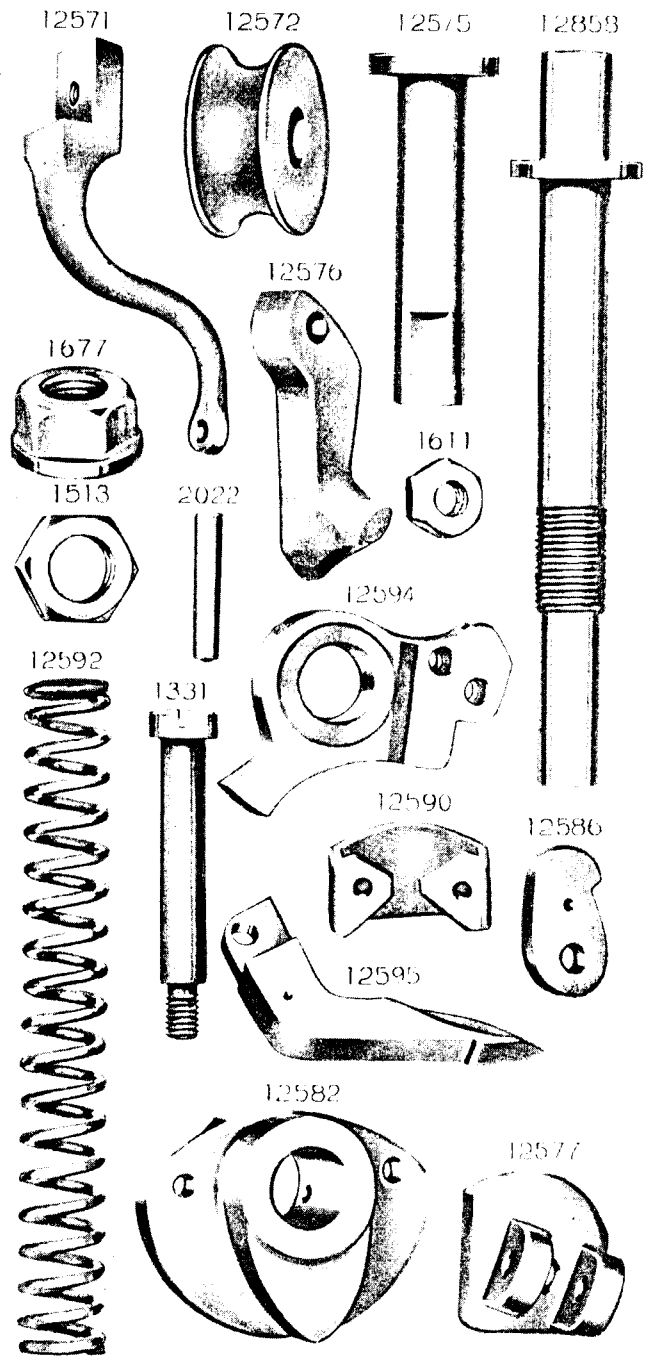
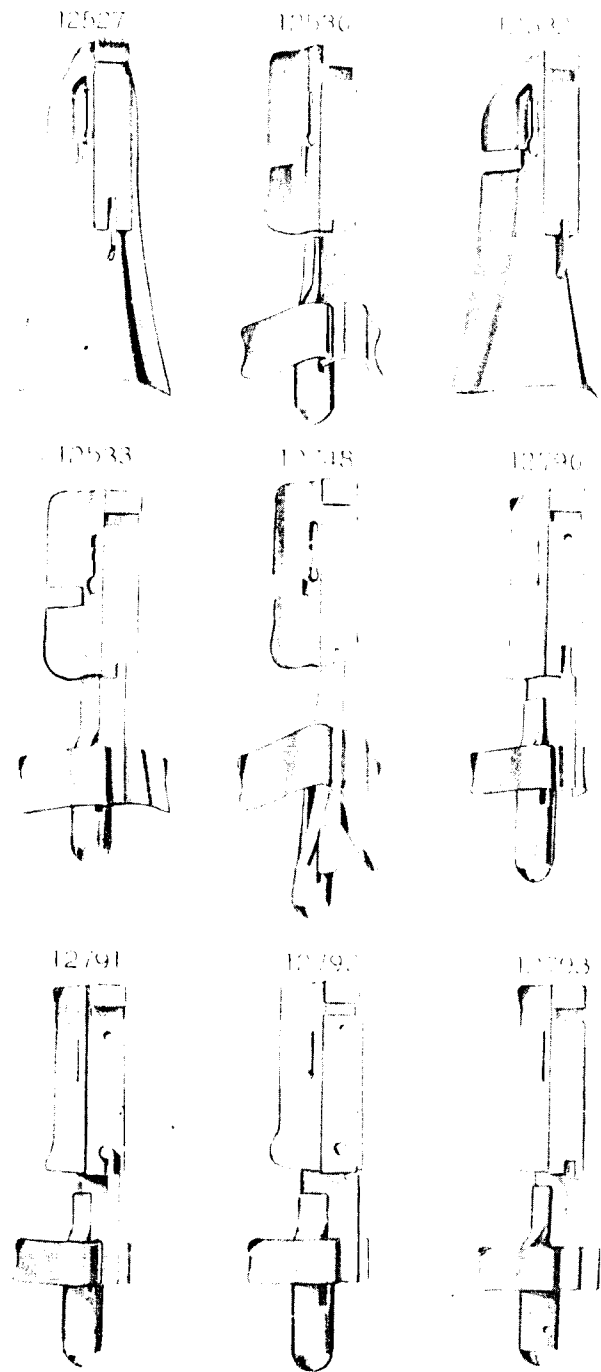


PLATE 1093—ONE-HALF SIZE



From the library of: Diamond Needle Corp



PLATE 1094—ONE-HALF SIZE

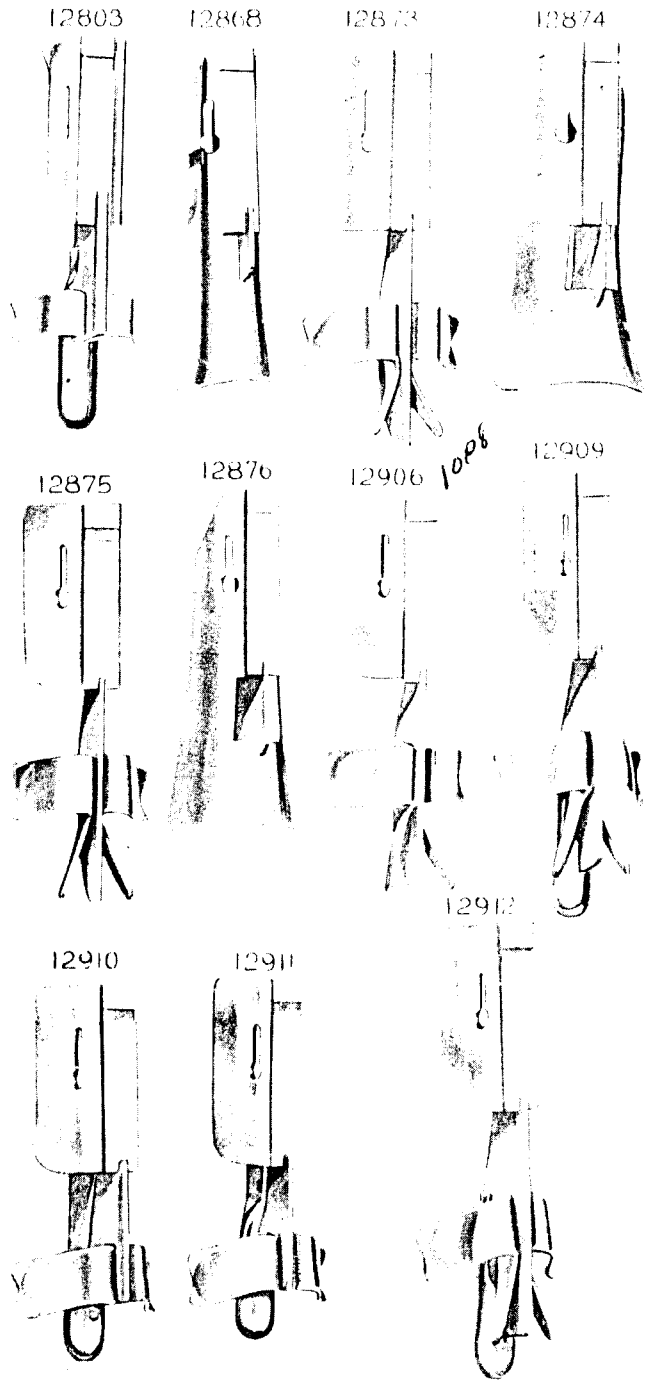
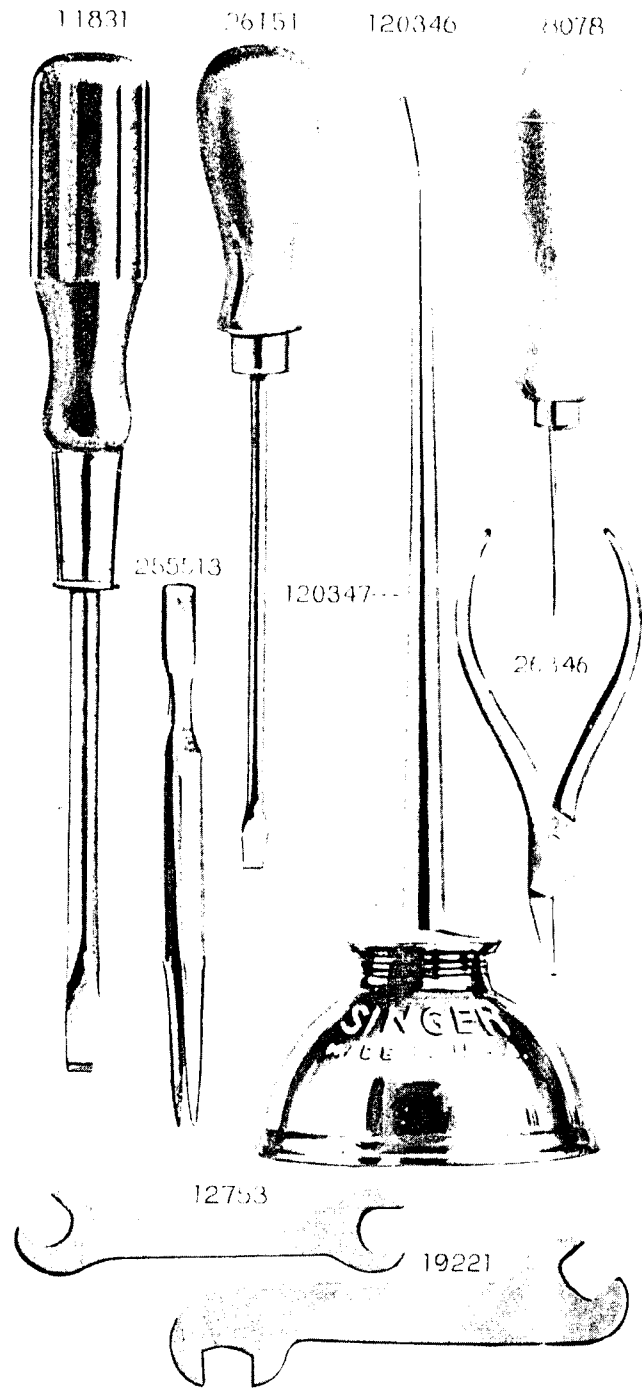


PLATE 1095—ONE-HALF SIZE



From the library of: Diamond Needle Corp